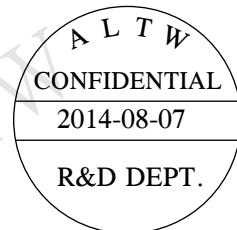
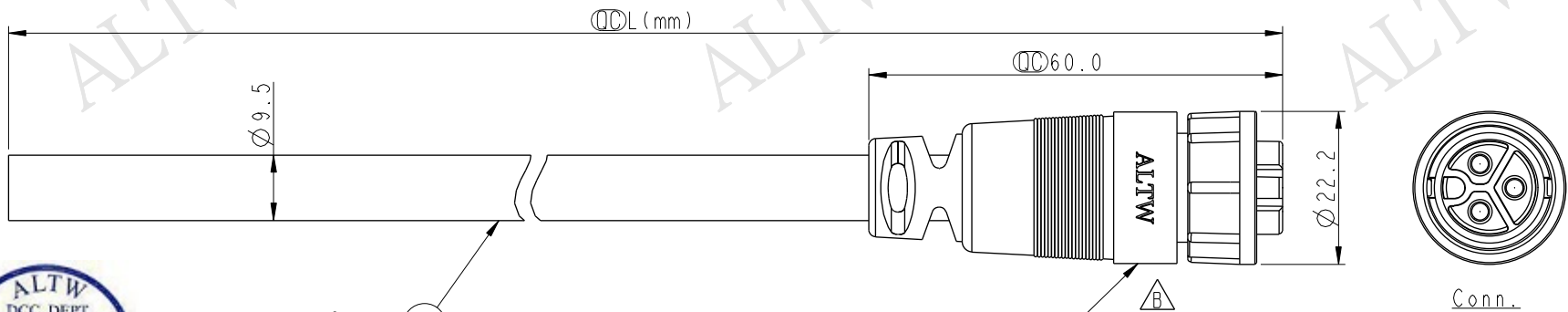


THIS DOCUMENT IS SUBJECT TO CHANGE WITHOUT NOTICE. IT IS CONFIDENTIAL AND A PROPERTY OF Amphenol LTW. DISCLOSURE TO THIRD PARTY HAS TO BE AUTHORIZED BY Amphenol LTW.

REV.	ECN NO.	DATE	SIGN	DESCRIPTION
B	LEN1480439~444	2014/08/07	Sam	Change Logo.

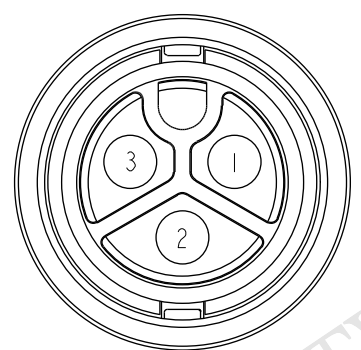


Cable ②

PWC-03AFFM-LL7100 ①
Color: Black

PWC-03AFFM-LL7DXX
 XX : 01~99Meters
 01 : 01Meter
 02 : 02Meters
 :
 :
 99 : 99Meters
 Cable Length(L):01~99Meters

- Note:
- * Ⓞ Important Dimension To Check.
 - * Waterproof Rate: IP67
 - * Connector: Nylon+GF, Black.
 - * Female Pin: Copper Alloy, Gold Plated.
 - * Lock Nut: Nylon+GF, Black.
 - * Cable: UL SJTW 14AWG*3C·PVC Jacket
UV Resistant, OD=9.5, Black.
 - * Cable Length Tolerance: 01M:40mm
02M~05M:±60mm
06M~10M:±100mm
11M~30M:±200mm
31M~99M:±500mm



Pin Assignments
Front View

3	White	白
2	Green	綠
1	Black	黑
Conn.	Wire Color	
	Pin Out	

UNIT:mm	
TOLERANCE	±0.5 mm

TITLE POWER MOLDING F CONN. F PIN 20A			
SCALE 1:1	SIZE A4	SHEET 1	OF 1
REV. B	WC-REV. A.2	Ⓞ: Inspection item	

Amphenol LTW
安費諾亮泰企業股份有限公司

ITEM NO	DRAWN BY Sam	DATE 2014-08-07
DWG NO PWC-03AFFM-LL7DXX	CHECKED BY Vicky	DATE 2014-08-07
CUSTOMER ALTW	APPROVED BY Rita	DATE 2014-08-07