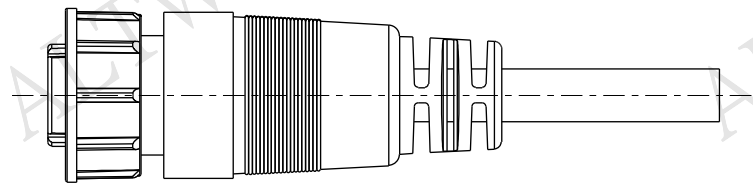
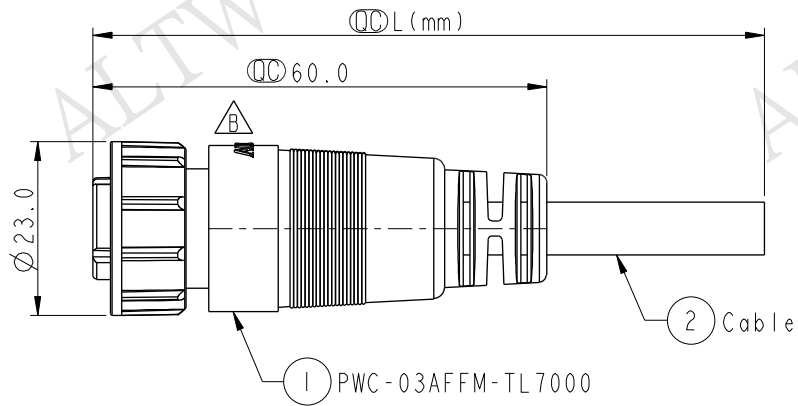
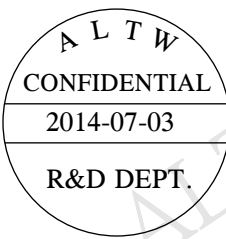


THIS DOCUMENT IS SUBJECT TO CHANGE WITHOUT NOTICE. IT IS CONFIDENTIAL AND A PROPERTY OF Amphenol LTW. DISCLOSURE TO THIRD PARTY HAS TO BE AUTHORIZED BY Amphenol LTW.

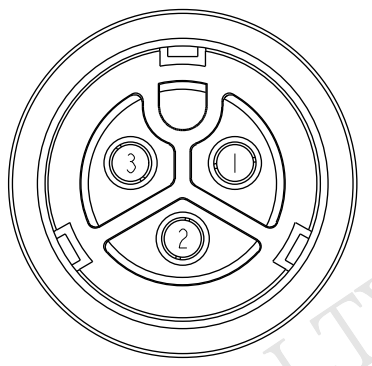
REV.	ECN NO.	DATE	SIGN	DESCRIPTION
A		2012/11/30	Tao-Cheng	Change Rev.01 To Rev.A
B	LEN1480250~253	2014/07/03	Sam	Change Logo.



PWC-03AFFM-TL7AXX

XX:01~99Meters  
 01:01Meter  
 02:02Meters  
 ...  
 99:99Meters

- Note:
- \*  $\varnothing$  Important Dimension To Check
  - \* Waterproof Rate: IP67 (Mated)
  - \* Connector: Nylon+GF, Black
  - \* Female Pin: Copper Alloy, Gold Flash
  - \* O-Ring: Silicone, Gray
  - \* Lock Nut: Nylon+GF, Black
  - \* Cable: UL2464 14AWG\*3C+Talcum PVC Jacket, OD=7.0mm, Black
  - \* Cable Length Tolerance: 01M:±40mm  
 02M~05M:±60mm  
 06M~10M:±100mm  
 11M~30M:±200mm  
 31M~99M:±500mm



Pin Assignments  
Front View

Conn	Wire Color	Pin Out
3	White (14AWG)	白
2	Green (14AWG)	綠
1	Black (14AWG)	黑

UNIT:mm		
TOLERANCE ±0.5 mm		

TITLE Power Molding 3Key 3Pin F Conn F Pin 20Amps			
SCALE 1:1	SIZE A4	SHEET 1 OF 1	
REV. B	WC-REV. A.4	$\varnothing$ : Inspection item	

**Amphenol LTW**  
 安費諾亮泰企業股份有限公司

ITEM NO	DRAWN BY Sam	DATE 2014-07-03
DWG NO PWC-03AFFM-TL7AXX	CHECKED BY Vicky	DATE 2014-07-03
CUSTOMER ALTW	APPROVED BY Rita	DATE 2014-07-03