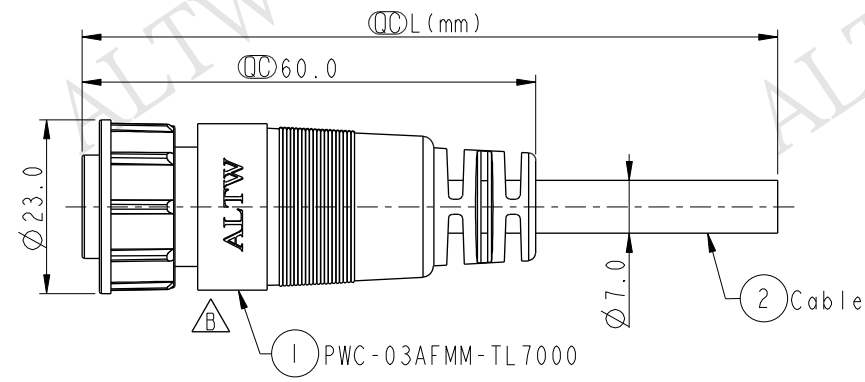
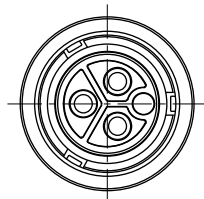


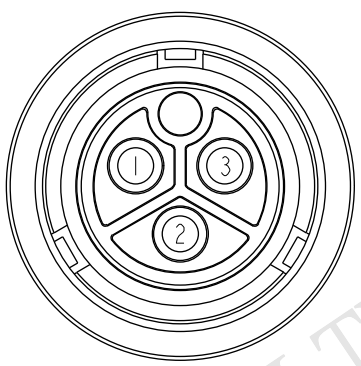
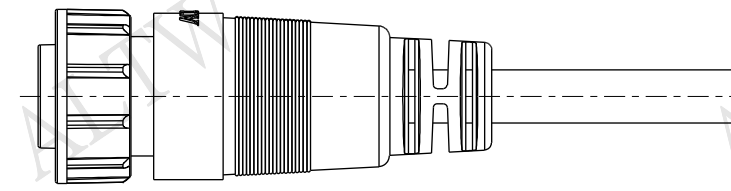
THIS DOCUMENT IS SUBJECT TO CHANGE WITHOUT NOTICE. IT IS CONFIDENTIAL AND A PROPERTY OF Amphenol LTW. DISCLOSURE TO THIRD PARTY HAS TO BE AUTHORIZED BY Amphenol LTW.

REV.	ECN NO.	DATE	SIGN	DESCRIPTION
A		2012/11/30	Tao-Cheng	Change Rev.01 To Rev.A
B	LEN1480264~267	2014/07/08	Sam	Change Logo.

**ALTW**  
 CONFIDENTIAL  
 2014-07-08  
 R&D DEPT.



**ALTW**  
 DCC. DEPT.  
 CONFIDENTIAL  
 2014.08.15  
 ISSUED



Pin Assignment  
Front View

3	White (14AWG) 白
2	Green (14AWG) 綠
1	Black (14AWG) 黑
Conn.	Wire Color
Pin Out	

PWC-03AFMM-TL7AXX

XX:01~99Meters  
 01:01Meter  
 02:02Meters  
 ...  
 99:99Meters

- Note:
- \*  $\varnothing$  Important Dimension To Check
  - \* Waterproof Rate: IP67 (Mated)
  - \* Connector: Nylon+GF, Black
  - \* Male Pin: Brass, Gold Flash
  - \* O-Ring: Silicone, Gray
  - \* Lock Nut: Nylon+GF, Black
  - \* Cable: UL2464 14AWG\*3C+Talcum  
PVC Jacket, OD=7.0mm, Black
  - \* Cable Length Tolerance:
    - 01M:±40mm
    - 02M~05M:±60mm
    - 06M~10M:±100mm
    - 11M~30M:±200mm
    - 31M~99M:±500mm

UNIT:mm

TOLERANCE  
±0.5 mm

TITLE			
Power Molding 3Key 3Pin F Conn M Pin 20Amps			
SCALE	SIZE	SHEET	OF
1:1	A4	1	1
REV.	WC-REV.	$\varnothing$ : Inspection item	
B	A.4		

**Amphenol LTW**  
 安費諾亮泰企業股份有限公司

ITEM NO	DRAWN BY	DATE
	Sam	2014-07-08
DWG NO	CHECKED BY	DATE
PWC-03AFMM-TL7AXX	Vicky	2014-07-08
CUSTOMER	APPROVED BY	DATE
ALTW	Rita	2014-07-08