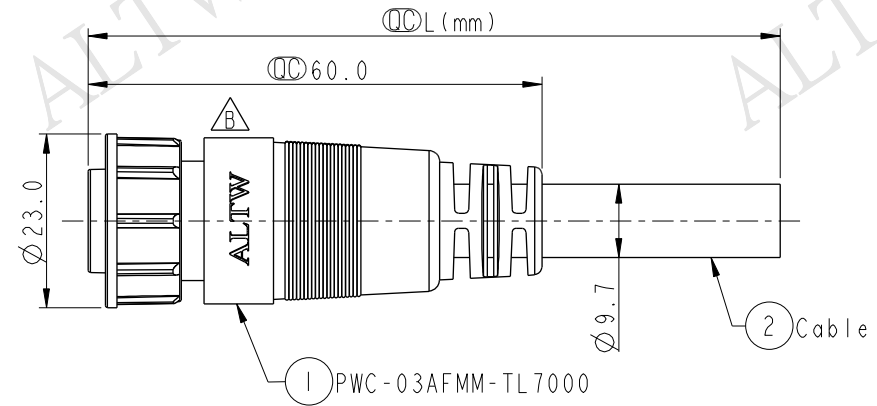
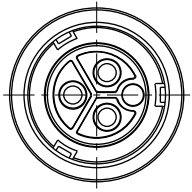
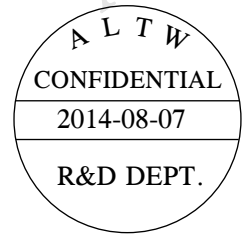


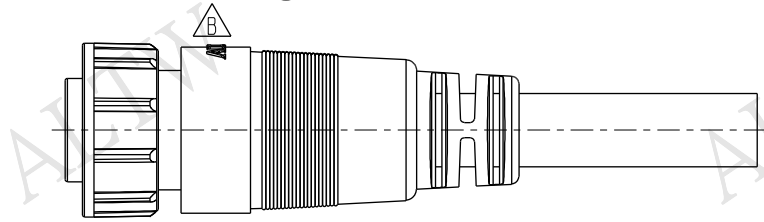
THIS DOCUMENT IS SUBJECT TO CHANGE WITHOUT NOTICE. IT IS CONFIDENTIAL AND A PROPERTY OF Amphenol LTW. DISCLOSURE TO THIRD PARTY HAS TO BE AUTHORIZED BY Amphenol LTW.

REV.	ECN NO.	DATE	SIGN	DESCRIPTION
A		2012/11/29	Tao-Cheng	Change Rev.01 To Rev.A
B	LEN1480268-271	2014/08/07	Sam	Change Logo



Pin Assignment Front View

3	White (14AWG) 白
2	Green (14AWG) 綠
1	Black (14AWG) 黑
Conn.	Wire Color
Pin Out	



PWC-03AFMM-TL7BXX

XX: 01~99Meters
 01: 01Meter
 02: 02Meters
 ...
 99: 99Meters

- Note:
- * CC Important Dimension To Check
 - * Waterproof Rate: IP67 (Mated)
 - * Connector: Nylon+GF, Black
 - * Male Pin: Brass, Gold Flash
 - * O-Ring: Silicone, Gray
 - * Lock Nut: Nylon+GF, Black
 - * Cable: TC-ER 14AWG*3C
PVC Jacket, OD=9.7mm, Black
 - * Cable Length Tolerance: 01M:±40mm
02M~05M:±60mm
06M~10M:±100mm
11M~30M:±200mm
31M~99M:±500mm

UNIT:mm	
TOLERANCE	
±0.5 mm	

TITLE Power Molding 3Key 3Pin F Conn M Pin 20Amps			
SCALE 1:1	SIZE A4	SHEET 1 OF 1	
REV. B	WC-REV. A.5	CC : Inspection item	

Amphenol LTW
 安費諾亮泰企業股份有限公司

ITEM NO	DRAWN BY Sam	DATE 2014-08-07
DWG NO PWC-03AFMM-TL7BXX	CHECKED BY Vicky	DATE 2014-08-07
CUSTOMER ALTW	APPROVED BY Rita	DATE 2014-08-07