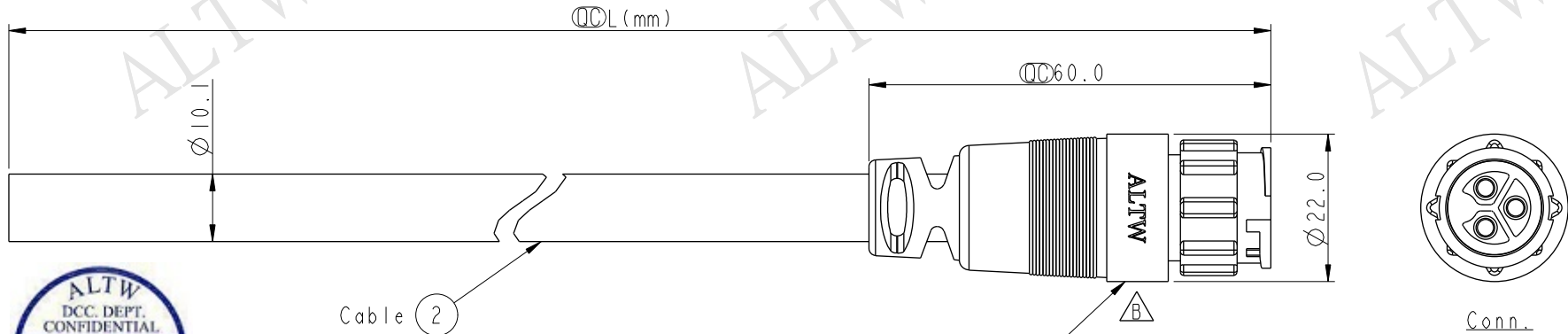
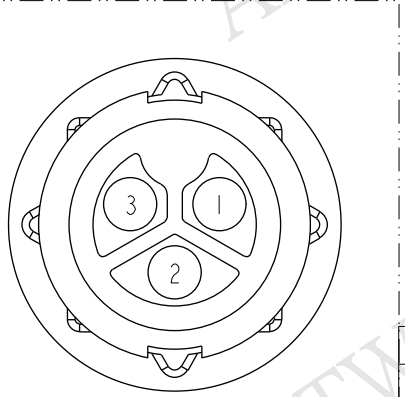


REV.	ECN NO.	DATE	SIGN	DESCRIPTION
B	LEN1480463~466	2014/08/15	Sam	Change Logo

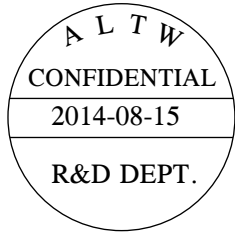


Cable ②

PWC-03AMFM-LL7100 ①
Color:Black



Pin Assignments
Front View



3	Blue	藍
2	Black	黑
1	Brown	棕
Conn.	Wire Color	
	Pin Out	

PWC-03AMFM-LL7EXX

- ↑
- XX : 01~99Meters
- 01 : 01Meter
- 02 : 02Meters
- ...
- 99 : 99Meters

Cable Length(L):01~99Meters

- Note:
- * (CC) Important Dimension To Check.
 - * Waterproof Rate: IP67
 - * Connector: Nylon+GF, Black.
 - * Female Pin: Copper Alloy, Gold Plated.
 - * Cable: VDE H05 2.5mm²*3G, PVC Jacket OD=10.1, Black.
 - * Cable Length Tolerance: 01M:40mm
 - 02M~05M:±60mm
 - 06M~10M:±100mm
 - 11M~30M:±200mm
 - 31M~99M:±500mm

UNIT:mm TOLERANCE ±0.5 mm	TITLE POWER MOLDING M CONN. F PIN 20A			Amphenol LTW 安費諾亮泰企業股份有限公司	ITEM NO	DRAWN BY Sam	DATE 2014-08-15
	SCALE 1:1	SIZE A4	SHEET 1 OF 1		DWG NO PWC-03AMFM-LL7EXX	CHECKED BY Vicky	DATE 2014-08-15
	REV. B	WC-REV. A.2	(CC): Inspection item		CUSTOMER ALTW	APPROVED BY Rita	DATE 2014-08-15

THIS DOCUMENT IS SUBJECT TO CHANGE WITHOUT NOTICE. IT IS CONFIDENTIAL AND A PROPERTY OF AMPHENOL LTW. DISCLOSURE TO THIRD PARTY HAS TO BE AUTHORIZED BY AMPHENOL LTW.