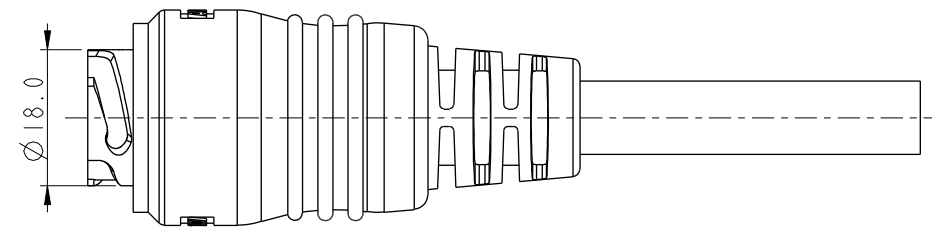
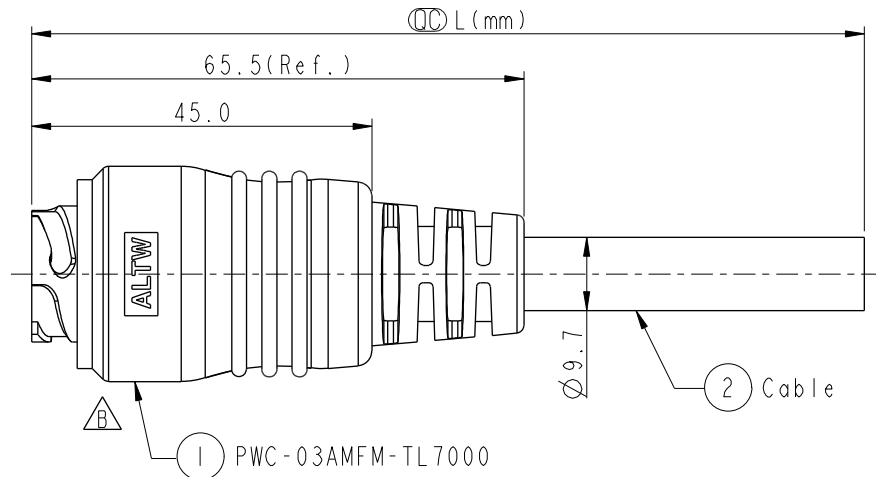
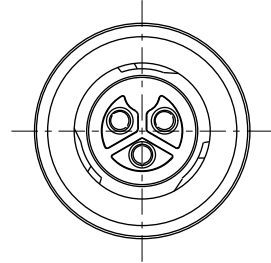


THIS DOCUMENT IS SUBJECT TO CHANGE WITHOUT NOTICE. IT IS CONFIDENTIAL AND A PROPERTY OF Amphenol LTW. DISCLOSURE TO THIRD PARTY HAS TO BE AUTHORIZED BY Amphenol LTW.

REV.	ECN NO.	DATE	SIGN	DESCRIPTION
A		2012/11/29	Tao-Cheng	Change Rev.01 To Rev.A
B	LEN1770069~72	2017/06/27	Ruru	Change Logo

ALTW
 CONFIDENTIAL
 2017-06-27
 R&D DEPT.

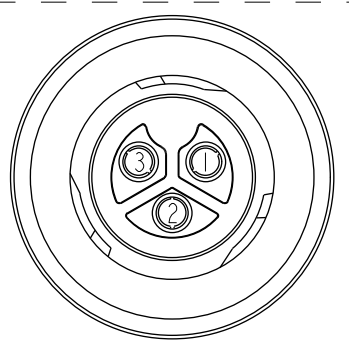
ALTW
 DCC. DEPT.
 CONFIDENTIAL
 2017.07.06
 ISSUED



PWC-03AMFM-TL7BXX

XX:01~99Meters
 01:01Meter
 02:02Meters
 :
 99:99Meters
 Cable Length(L):01~99Meters

- Note:
- * (CC) Important Dimension To Check
 - * Waterproof Rate: IP67 (Mated)
 - * Connector: Nylon+GF, Black
 - * Female Pin: Copper Alloy, Gold Flash
 - * Cable: TC-ER 14AWG*3C
PVC Jacket, OD=9.7mm, Black
 - * Cable Length Tolerance: 01M:±40mm
02M~05M:±60mm
06M~10M:±100mm
11M~30M:±200mm
31M~99M:±500mm



Pin Assignment
Front View

3	White (14AWG)	白
2	Green (14AWG)	綠
1	Black (14AWG)	黑
Housing	Wire Color	
Pin Out		

UNIT:mm

TOLERANCE	
.X	±0.25
.XX	±0.1
.XXX	±0.05
ANGLES	±1°

TITLE			
Power Molding 3Key 3Pin M Conn F Pin 20Amps			
SCALE	1:1	SIZE	A4
REV.	B	WC-REV.	A.5
		(CC): Inspection item	

Amphenol LTW
 安費諾亮泰企業股份有限公司

ITEM NO	DRAWN BY	DATE
	Ruru	2017-06-27
DWG NO	CHECKED BY	DATE
PWC-03AMFM-TL7BXX	Rita	2017-06-27
CUSTOMER	APPROVED BY	DATE
ALTW	Max	2017-06-27