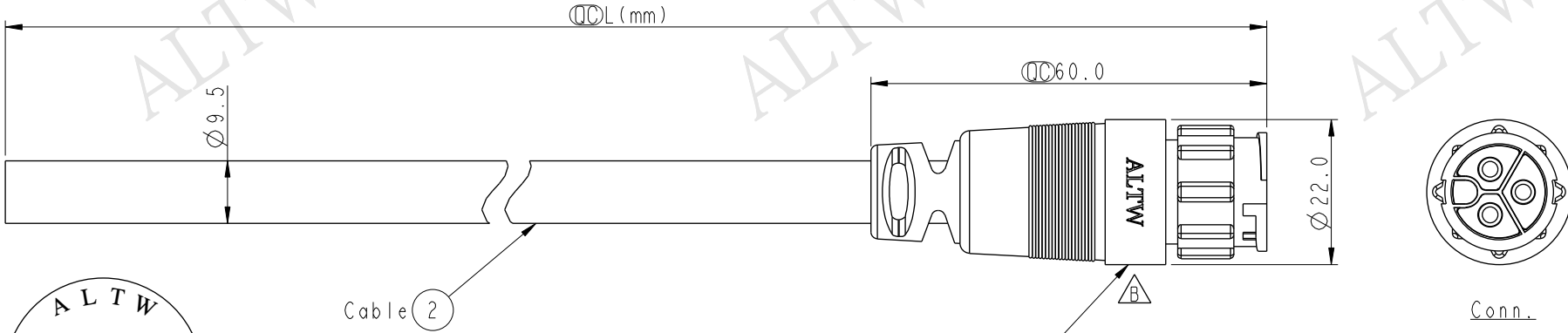


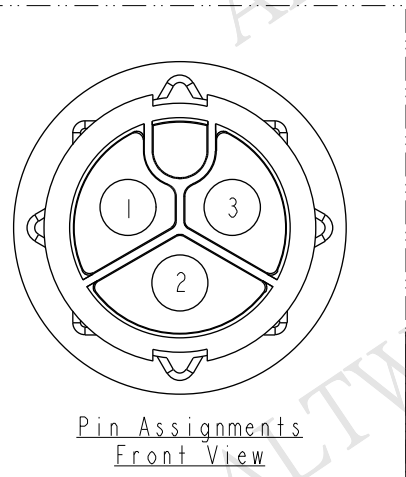
REV.	ECN NO.	DATE	SIGN	DESCRIPTION
B	LEN1480468-471	2014/08/15	Sam	Change Logo



ALTW  
CONFIDENTIAL  
2014-08-15  
R&D DEPT.

Cable ②

PWC-03AMMM-LL7100 ①  
Color:Black



ALTW  
DCC. DEPT.  
CONFIDENTIAL  
2014.08.22  
ISSUED

PWC-03AMMM-LL7DXX

XX : 01~99Meters  
01 : 01Meter  
02 : 02Meters  
.....  
99 : 99Meters

Cable Length(L):01~99Meters

- Note:
- \* Ⓞ Important Dimension To Check.
  - \* Waterproof Rate: IP67
  - \* Connector: Nylon+GF, Black.
  - \* Male Pin: Copper Alloy, Gold Plated.
  - \* Cable: UL SJTW 14AWG\*3C·PVC Jacket  
UV Resistant, OD=9.5, Black.
  - \* Cable Length Tolerance: 01M:40mm  
02M~05M:±60mm  
06M~10M:±100mm  
11M~30M:±200mm  
31M~99M:±500mm

3	White	白
2	Green	綠
1	Black	黑
Conn.	Wire Color	
	Pin Out	

UNIT:mm  
TOLERANCE  
±0.5 mm

TITLE POWER MOLDING M CONN. M PIN 20A			
SCALE 1:1	SIZE A4	SHEET 1 OF 1	
REV. B	WC-REV. A.2	Ⓞ: Inspection item	

**Amphenol LTW**  
安費諾亮泰企業股份有限公司

ITEM NO	DRAWN BY Sam	DATE 2014-08-15
DWG NO PWC-03AMMM-LL7DXX	CHECKED BY Vicky	DATE 2014-08-15
CUSTOMER ALTW	APPROVED BY Rita	DATE 2014-08-15

THIS DOCUMENT IS SUBJECT TO CHANGE WITHOUT NOTICE. IT IS CONFIDENTIAL AND A PROPERTY OF AMPHENOL LTW. DISCLOSURE TO THIRD PARTY HAS TO BE AUTHORIZED BY AMPHENOL LTW.