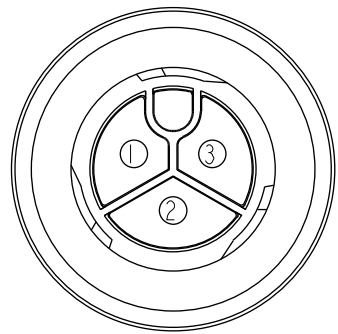
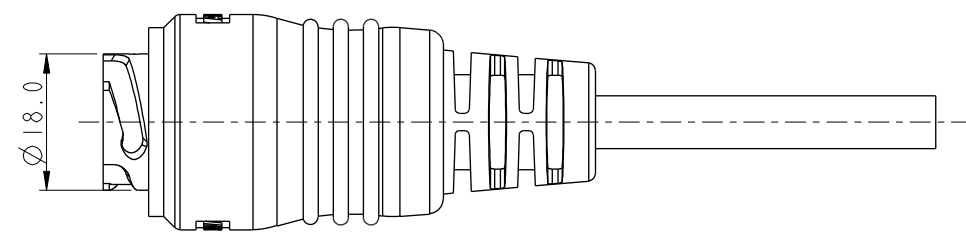
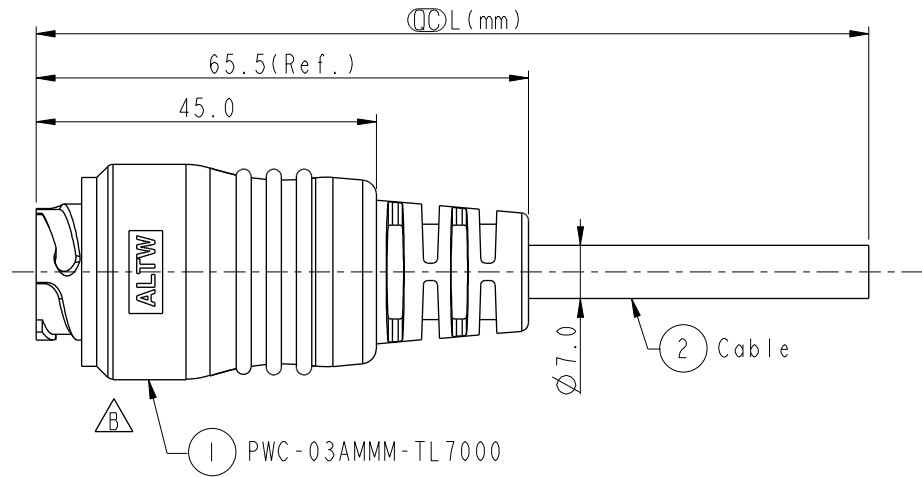
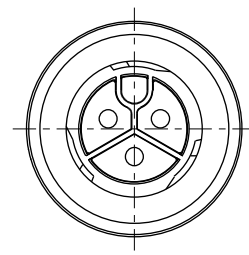


THIS DOCUMENT IS SUBJECT TO CHANGE WITHOUT NOTICE. IT IS CONFIDENTIAL AND A PROPERTY OF Amphenol LTW. DISCLOSURE TO THIRD PARTY HAS TO BE AUTHORIZED BY Amphenol LTW.

REV.	ECN NO.	DATE	SIGN	DESCRIPTION
A		2012/11/30	Tao-Cheng	Change Rev.01 To Rev.A
B	LEN1770083-86	2017/06/27	Ruru	Change Logo

ALTW
CONFIDENTIAL
2017-06-27
R&D DEPT.

ALTW
DCC. DEPT.
CONFIDENTIAL
2017.07.06
ISSUED



Pin Assignment
Front View

3	White (14AWG)	白
2	Green (14AWG)	綠
1	Black (14AWG)	黑
Housing	Wire Color	
Pin Out		

PWC-03AMMM-TL7AXX

XX:01~99Meters
01:01Meter
02:02Meters
⋮
99:99Meters

Cable Length(L):01~99Meters

Note:

- * \varnothing Important Dimension To Check
- * Waterproof Rate: IP67 (Mated)
- * Connector: Nylon+GF, Black
- * Male Pin: Copper Alloy, Gold Flash
- * Cable: UL2464, 14AWG*3C+Talcum
PVC Jacket, OD=7.0mm, Black
- * Cable Length Tolerance: 01M:±40mm
02M~05M:±60mm
06M~10M:±100mm
11M~30M:±200mm
31M~99M:±500mm

UNIT:mm		
TOLERANCE		
.X	±0.25	
.XX	±0.1	
.XXX	±0.05	
ANGLES	±1°	

TITLE Power Molding M Conn M Pin 20Amps			
SCALE 1:1	SIZE A4	SHEET 1	OF 1
REV. B	WC-REV. A.4	\varnothing : Inspection item	

Amphenol LTW
安費諾亮泰企業股份有限公司

ITEM NO	DRAWN BY Ruru	DATE 2017-06-27
DWG NO PWC-03AMMM-TL7AXX	CHECKED BY Rita	DATE 2017-06-27
CUSTOMER ALTW	APPROVED BY Max	DATE 2017-06-27