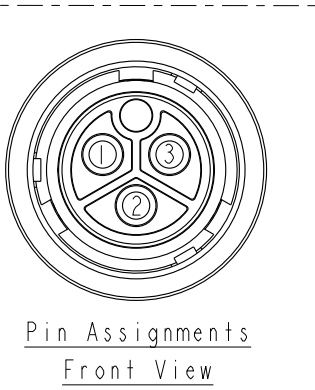
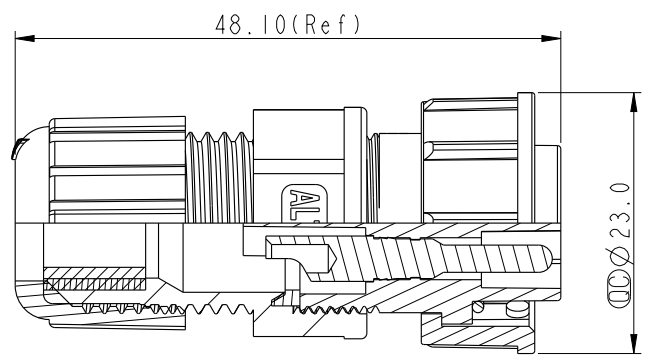
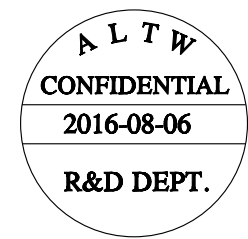
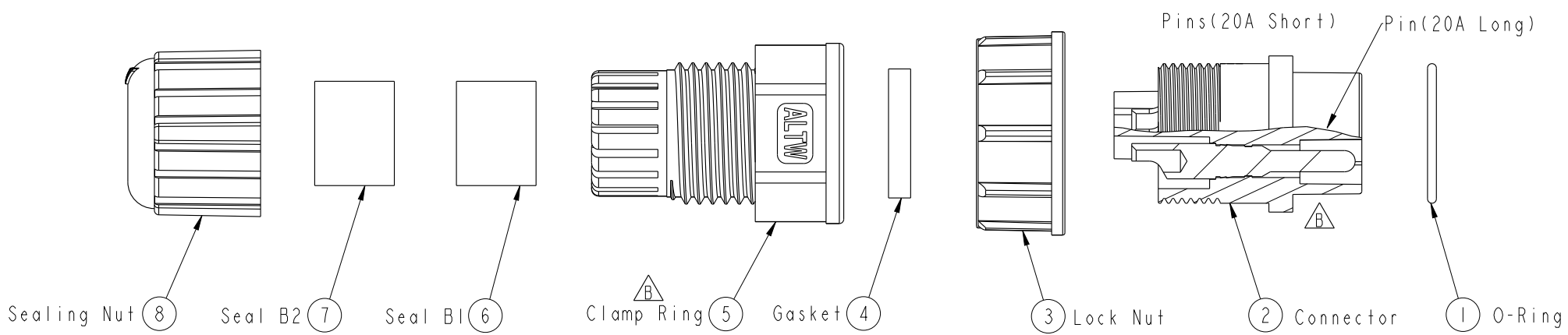


THIS DOCUMENT IS SUBJECT TO CHANGE WITHOUT NOTICE. IT IS CONFIDENTIAL AND A PROPERTY OF AMPHENOL LTW. DISCLOSURE TO THIRD PARTY HAS TO BE AUTHORIZED BY AMPHENOL LTW.

REV.	ECN NO.	DATE	SIGN	DESCRIPTION
A	Initial Release	2014/09/18	Victor	Change Rev.01 to Rev.A
B	LE31680527	2016/08/06	Joyy	Modify The Material Of The Clamp Ring



- Notes:
- * CC Important Dimensions To Check.
 - * Waterproof Rate: IP67.
 - * Housing: Nylon+GF, Black.
 - * Female Pin: Copper Alloy, Gold Plated.
 - * O-Ring: Silicon, Gray.
 - * Lock Nut: Nylon+GF, Black.
 - * Gasket: Silicon, Gray.
 - * Δ Clamp Ring: Nylon66, Black.
 - * Sealing Nut: Nylon+GF, Black.
 - * Seal B1 For Cable OD: \varnothing 7.6mm~9.6mm.
 - * Seal B2 For Cable OD: \varnothing 4.0mm~7.6mm.
 - * One Set Unassembled In One PE Bag.

UNIT:mm		
TOLERANCE		
±0.5 mm		

TITLE POWER ASSY 3KEY 3 PIN F CONN M PIN			
SCALE 3:2	SIZE A4	SHEET 1 OF 1	
REV. B	WC-REV. A.3	CC : Inspection item	

Amphenol LTW
安費諾亮泰企業股份有限公司

ITEM NO PWC-03BFMA-TL7001	DRAWN BY Joyy	DATE 2016-08-06
DWG NO PWC-03BFMA-TL7001	CHECKED BY Ma Fei	DATE 2016-08-06
CUSTOMER ALTW	APPROVED BY Jerry	DATE 2016-08-06