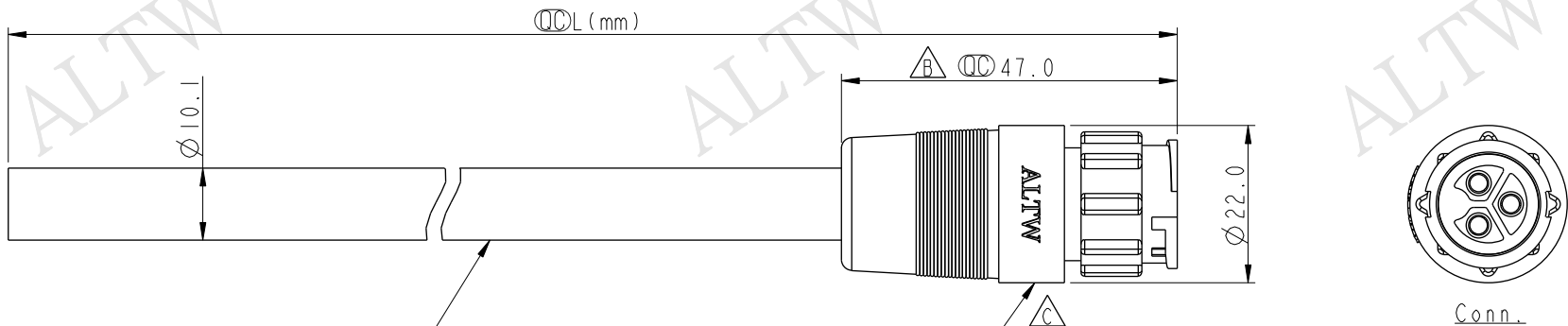


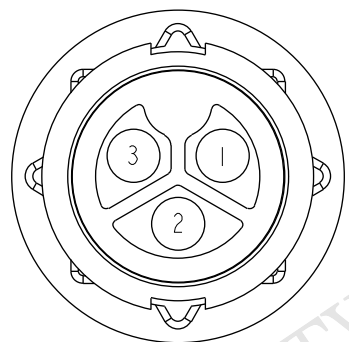
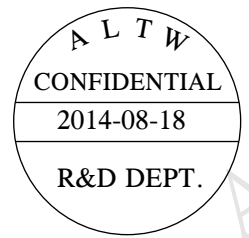
REV.	ECN NO.	DATE	SIGN	DESCRIPTION
B	LEN1390124~127	2013/09/06	Rensong	Change dimension
C	LEN1480535~538	2014/08/18	Sam	Change Logo



Cable ②

PWC-03BMFM-LL7100
Color: Black

PWC-03BMFM-LL7EXX
 XX : 01~99Meters
 01 : 01Meter
 02 : 02Meters
 :
 :
 99 : 99Meters
 Cable Length(L):01~99Meters



Pin Assignments
Front View

3	Blue	藍
2	Black	黑
1	Brown	棕
Conn.	Wire Color	
Pin Out		

Note:
 * Ⓞ Important Dimension To Check.
 * Waterproof Rate: IP67
 * Connector: Nylon+GF, Black.
 * Male Pin: Copper Alloy, Gold Plated.
 * Lock Nut: Nylon+GF, Black.
 * Cable: VDE H05 2.5mm²*3G, PVC Jacket, OD=10.1, Black.
 * Cable Length Tolerance: 01M:40mm
 02M~05M:±60mm
 06M~10M:±100mm
 11M~30M:±200mm
 31M~99M:±500mm

UNIT:mm		TITLE	POWER MOLDING M CONN. F PIN	
TOLERANCE	±0.5 mm	SCALE	1:1	SIZE A4
		REV.	C	WC-REV. B.2
				Ⓞ: Inspection item

Amphenol LTW
安費諾亮泰企業股份有限公司

ITEM NO	DRAWN BY	DATE
	Sam	2014-08-18
DWG NO	CHECKED BY	DATE
PWC-03BMFM-LL7EXX	Vicky	2014-08-18
CUSTOMER	APPROVED BY	DATE
ALTW	Rita	2014-08-18

THIS DOCUMENT IS SUBJECT TO CHANGE WITHOUT NOTICE. IT IS CONFIDENTIAL AND A PROPERTY OF Amphenol LTW. DISCLOSURE TO THIRD PARTY HAS TO BE AUTHORIZED BY Amphenol LTW.