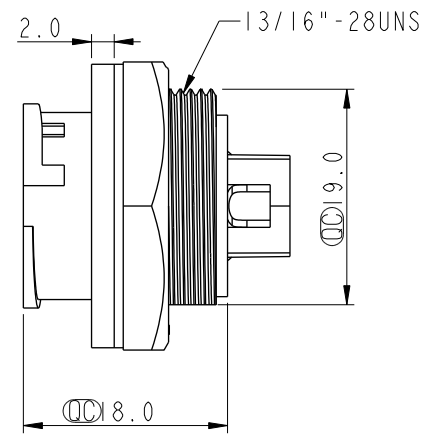
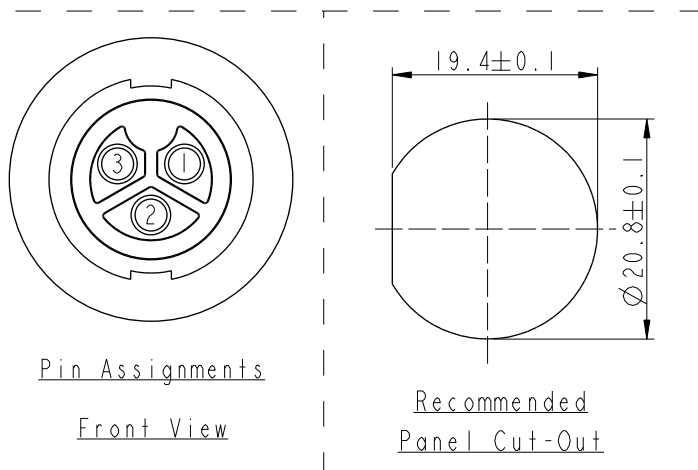
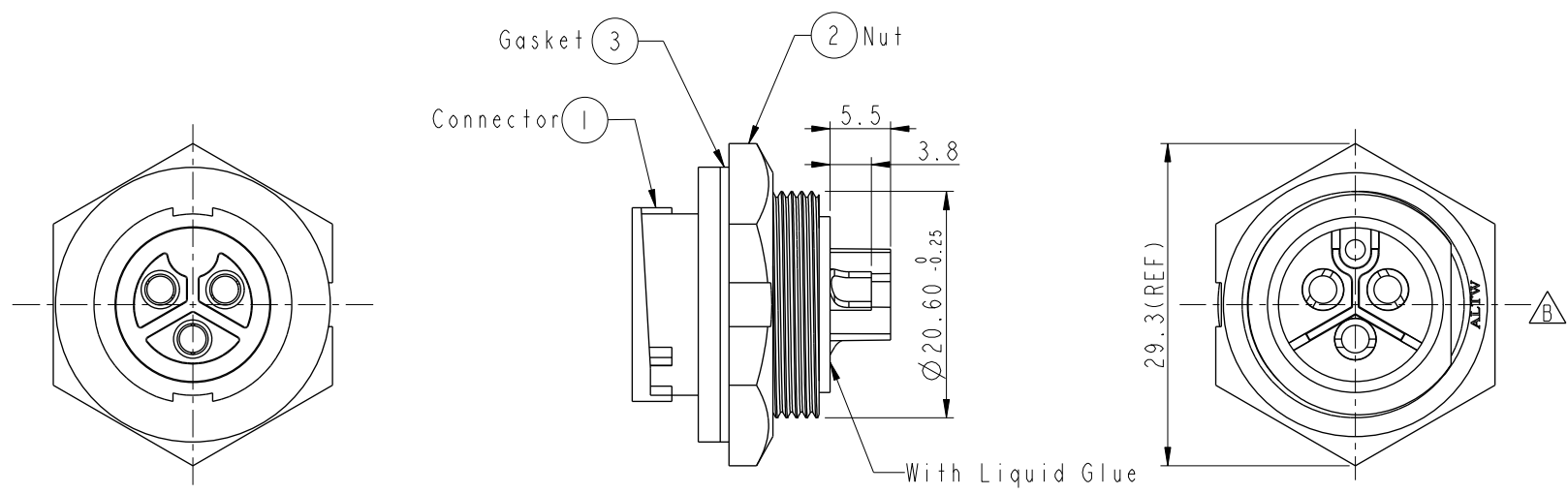


THIS DOCUMENT IS SUBJECT TO CHANGE WITHOUT NOTICE. IT IS CONFIDENTIAL AND A PROPERTY OF AMPHENOL LTW. DISCLOSURE TO THIRD PARTY HAS TO BE AUTHORIZED BY AMPHENOL LTW.

REV.	ECN NO.	DATE	SIGN	DESCRIPTION
B	C200524	2020/04/21	Vicky	△B*6



- Note:
- * \varnothing Important Dimension To Check.
 - △B * Waterproof Rate: IP67, Unmated
 - △B * Connector: Thermoplastic, Black
 - * Female Pin: Copper Alloy, Gold Plated
 - △B * Nut: Thermoplastic, Black
 - △B * Gasket: Rubber, Gray
 - * Maximum Panel Thickness: 4.5mm
 - * UL94V-0 Materials used
 - * For UL2238 Certificated E318730

UNIT:mm		TITLE	PWR, 20A, 03P, REAR FASTENED M, F, SOLDER, 2LOCK			ITEM NO.	PWC-03RMFS-LC7002	DRAWN BY	Ivan Lin	DATE	2010-01-28		
		SCALE	3:2	SIZE		A4	SHEET	1	OF	1	DWG NO.	PWC-03RMFS-LC7002	CHECKED BY
TOLERANCE	.X ±0.25	REV.	B	WC-REV.	A.4	CUSTOMER	ALTW	APPROVED BY	Max	DATE	2010-01-29		
.XX ±0.1													
.XXX ±0.05													
ANGLES ±1°													

Amphenol LTW
安費諾亮泰企業股份有限公司