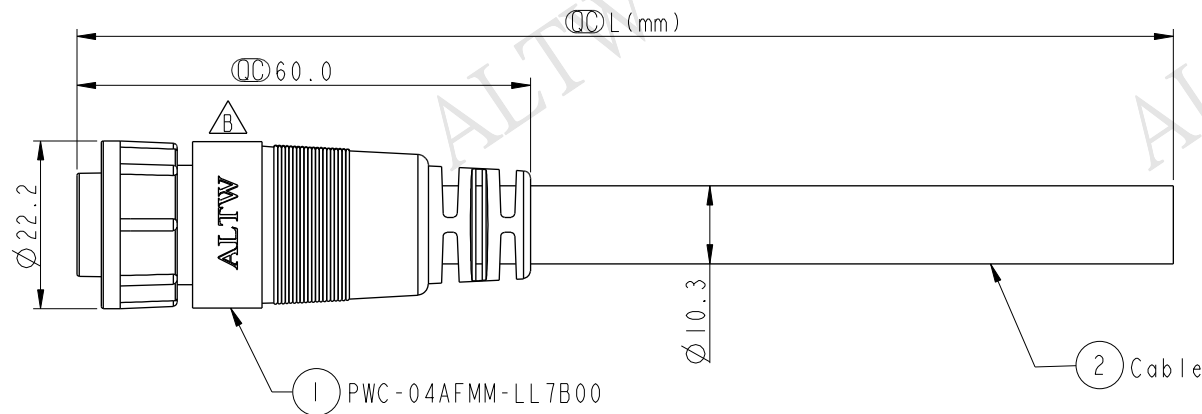


REV.	ECN NO.	DATE	SIGN	DESCRIPTION
A		2012/11/14	Tao-Cheng	Change Rev.02 To Rev.A
B	LEN1480278~281	2014/06/20	Sam	Change Logo

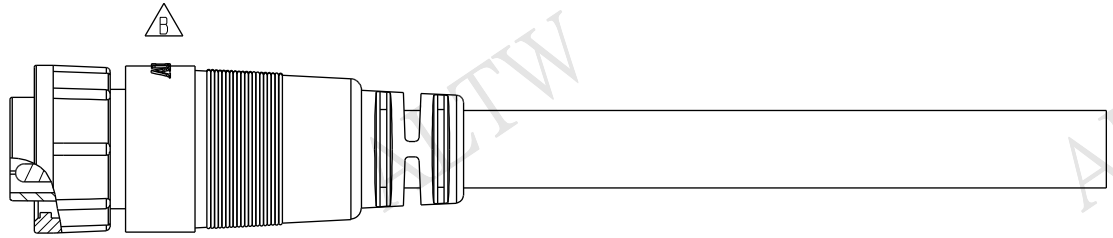
ALTW  
CONFIDENTIAL  
2014-06-20  
R&D DEPT.



Conn.

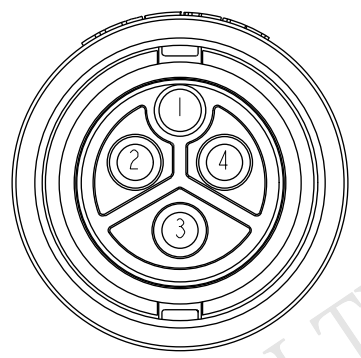


ALTW  
DCC. DEPT.  
CONFIDENTIAL  
2014.08.15  
ISSUED



PWCU-04AFMM-LL7BXX

XX:01~99Meters  
01:01Meter  
02:02Meters  
:  
99:99Meters



Pin Assignment  
Front View

4	White (14AWG)	白
3	Green (14AWG)	綠
2	Black (14AWG)	黑
1	Red (16AWG)	紅
Conn.	Wire Color	
	Pin Out	

Note:

- \*  $\varnothing$  Important Dimension To Check.
- \* Waterproof Rate: IP67 (Mated).
- \* Connector: Nylon+GF, Black.
- \* Male Pin: Copper Alloy, Gold Plated.
- \* Lock Nut: Nylon+GF, Black.
- \* O-Ring: Silicone, Gray.
- \* Cable: TC-ER, 14AWG\*3C+16AWG\*1C, PVC Jacket, Black, OD=10.3mm.
- \* Cable Length Tolerance:
  - 01M:±40mm
  - 02M~05M:±60mm
  - 06M~10M:±100mm
  - 11M~30M:±200mm
  - 31M~99M:±500mm

UNIT:mm	
TOLERANCE	±0.5 mm

TITLE Power,Cable Lock 4Pin F Conn M Pin (2A+20A)			
SCALE 1:1	SIZE A4	SHEET 1 OF 1	
REV. B	WC-REV. A.1	$\varnothing$ : Inspection item	

**Amphenol LTW**  
安費諾亮泰企業股份有限公司

ITEM NO	DRAWN BY Sam	DATE 2014-06-20
DWG NO PWCU-04AFMM-LL7BXX	CHECKED BY Vicky	DATE 2014-06-20
CUSTOMER ALTW	APPROVED BY Rita	DATE 2014-06-20

THIS DOCUMENT IS SUBJECT TO CHANGE WITHOUT NOTICE. IT IS CONFIDENTIAL AND A PROPERTY OF Amphenol LTW. DISCLOSURE TO THIRD PARTY HAS TO BE AUTHORIZED BY Amphenol LTW.