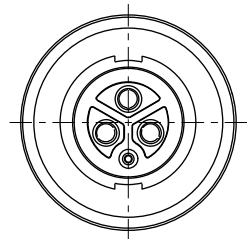
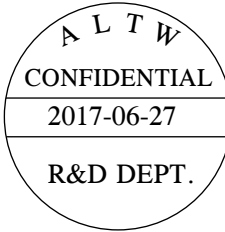
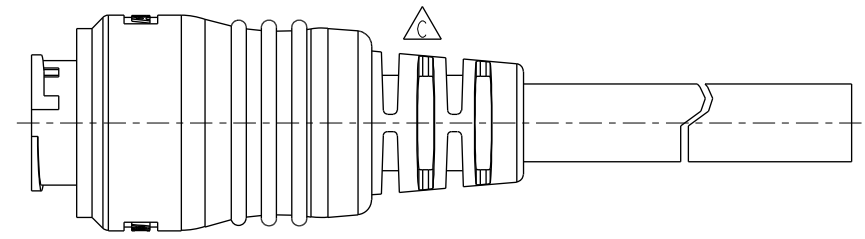
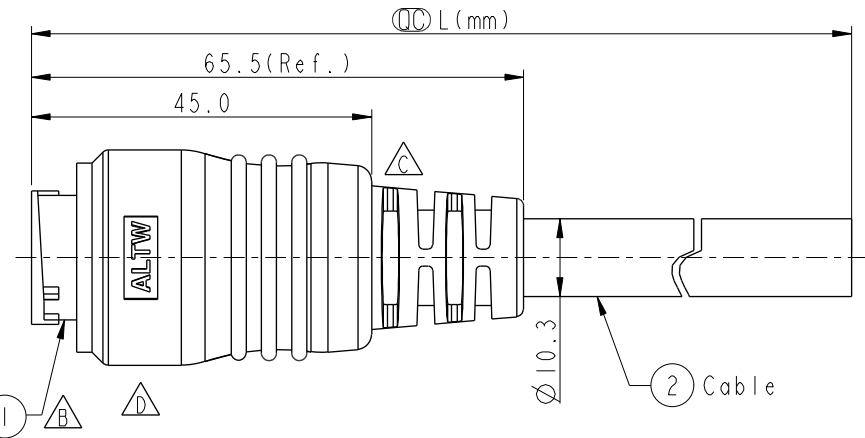


THIS DOCUMENT IS SUBJECT TO CHANGE WITHOUT NOTICE. IT IS CONFIDENTIAL AND A PROPERTY OF Amphenol LTW. DISCLOSURE TO THIRD PARTY HAS TO BE AUTHORIZED BY Amphenol LTW.

REV.	ECN NO.	DATE	SIGN	DESCRIPTION
B	LE31280088-091	2012/08/03	Yulong	Change Product Code
C	LEN12A0078-81	2012/10/18	Tao-Cheng	Update SR
D	LEN1770096-99	2017/06/27	Ruru	Change Logo

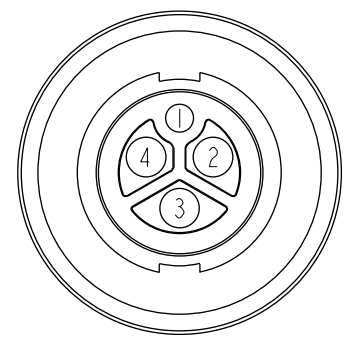


Conn. PWCU-04AMFM-LL7000



PWCU-04AMFM-LL7BXX
 XX: 01~99Meters
 01: 01Meter
 02: 02Meters
 ...
 99: 99Meters
 Cable Length(L): 01~99Meters

- Note:
- * (⌀) Important Dimension To Check.
 - * Waterproof Rate: IP67(Mated)
 - * Connector: Nylon+GF, Black
 - * Female Pin: Copper Alloy, Gold Flash
 - * Cable: TC-ER, 14AWG*3C+16AWG*1C, PVC Jacket, OD=10.3mm, Black
 - * Cable Length Tolerance: 01M: ±40mm
 02M~05M: ±60mm
 06M~10M: ±100mm
 11M~30M: ±200mm
 31M~99M: ±500mm



Pin Assignments Front View

4	White(14AWG) 白
3	Green(14AWG) 綠
2	Black(14AWG) 黑
1	Red(16AWG) 紅
Conn.	Wire Color
Pin Out	

UNIT:mm		
TOLERANCE		
.X	±0.25	
.XX	±0.1	
.XXX	±0.05	
ANGLES	±1°	

TITLE	Power,Cable Lock 4Pin M Conn F Pin (2A+20A)		
SCALE	1:1	SIZE	A4
SHEET	1	OF	1
REV.	D	WC-REV.	A.2
		(⌀):	Inspection item

Amphenol LTW
 安費諾亮泰企業股份有限公司

ITEM NO	DWG NO	CUSTOMER
	PWCU-04AMFM-LL7BXX	ALTW

DRAWN BY	CHECKED BY	APPROVED BY
Ruru	Rita	Max

DATE	DATE	DATE
2017-06-27	2017-06-27	2017-06-27