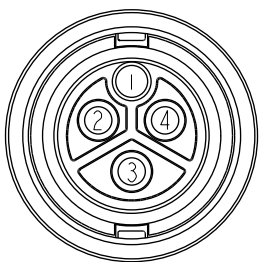
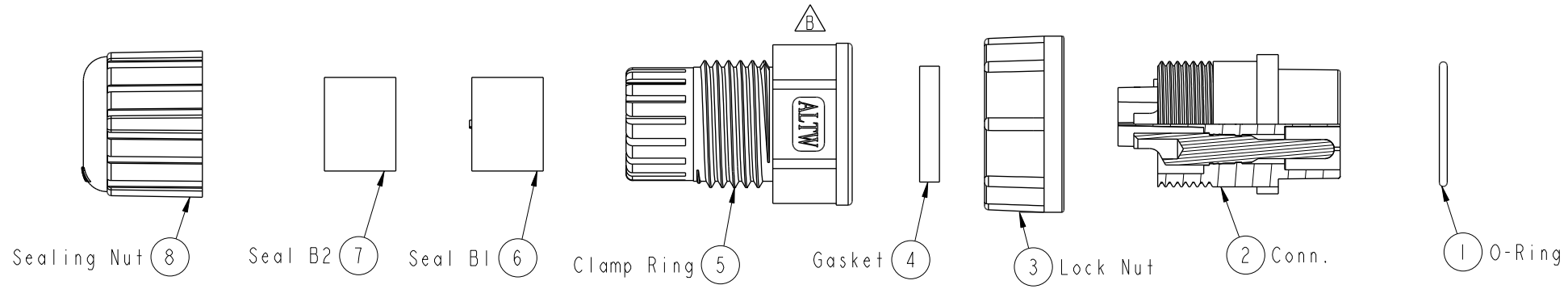
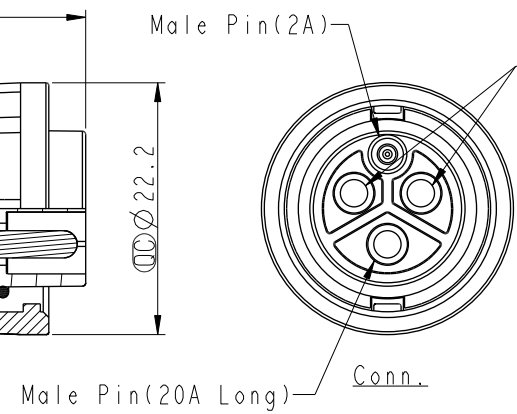
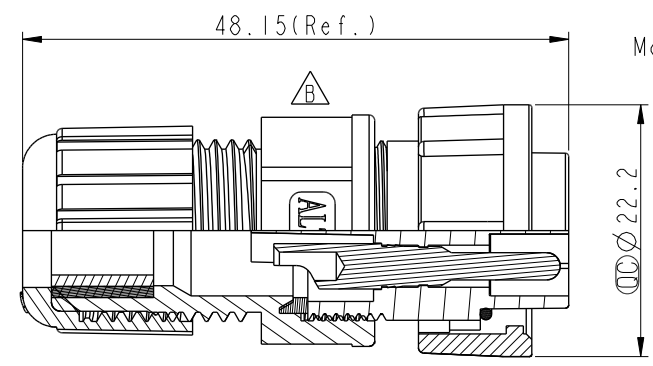


THIS DOCUMENT IS SUBJECT TO CHANGE WITHOUT NOTICE. IT IS CONFIDENTIAL AND A PROPERTY OF AMPHENOL LTW. DISCLOSURE TO THIRD PARTY HAS TO BE AUTHORIZED BY AMPHENOL LTW.

REV.	ECN NO.	DATE	SIGN	DESCRIPTION
A	Initial Release	2010/08/10	Aric	Change Rev.01 To Rev.A
B	LEN1741303	2017/04/20	Ruru	Change Logo
C	C201856	2020/11/25	Vicky	$\triangle C$ *2



Pin Assignments
Front View



$\triangle C$ Note:

- * \odot Important Dimensions To Check
- * Waterproof Rate: IP67, Mated
- * Housing: Thermoplastic, Black
- * Male Pin: Copper Alloy, Gold Plated
- * O-Ring: Rubber, Gray
- * Lock Nut: Thermoplastic, Black
- * Gasket: Rubber, Gray
- * Clamp Ring: Thermoplastic, Black
- * Sealing Nut: Thermoplastic, Black
- * Seal B1 For Cable OD: $\varnothing 7.5\text{mm} \sim 9.5\text{mm}$
- * Seal B2 For Cable OD: $\varnothing 4.5\text{mm} \sim 7.5\text{mm}$
- * One Set Unassembled In One PE Bag
- * UL94V-0 rated materials

UNIT:mm		
TOLERANCE	.X ± 0.25	
	.XX ± 0.1	
	.XXX ± 0.05	
ANGLES	$\pm 1^\circ$	

TITLE PWR, 20+2A, 04P, CABLE W/O SR $\triangle C$ F, M, FI SOLDER, 2LOCK			
SCALE 3:2	SIZE A4	SHEET 1 OF 1	
REV. C	WC-REV. A.5	\odot : Inspection item	

Amphenol LTW
安費諾亮泰企業股份有限公司

ITEM NO PWCU-04BFMA-LL7002	DRAWN BY Ruru	DATE 2017-04-20
DWG NO PWCU-04BFMA-LL7002	CHECKED BY Rita	DATE 2017-04-20
CUSTOMER ALTW	APPROVED BY Max	DATE 2017-04-20

DATE 2017-04-20
DATE 2017-04-20
DATE 2017-04-20