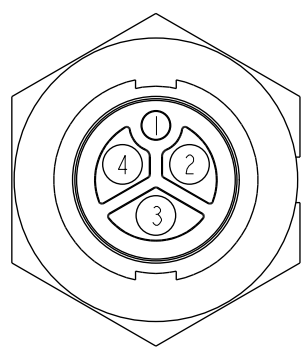
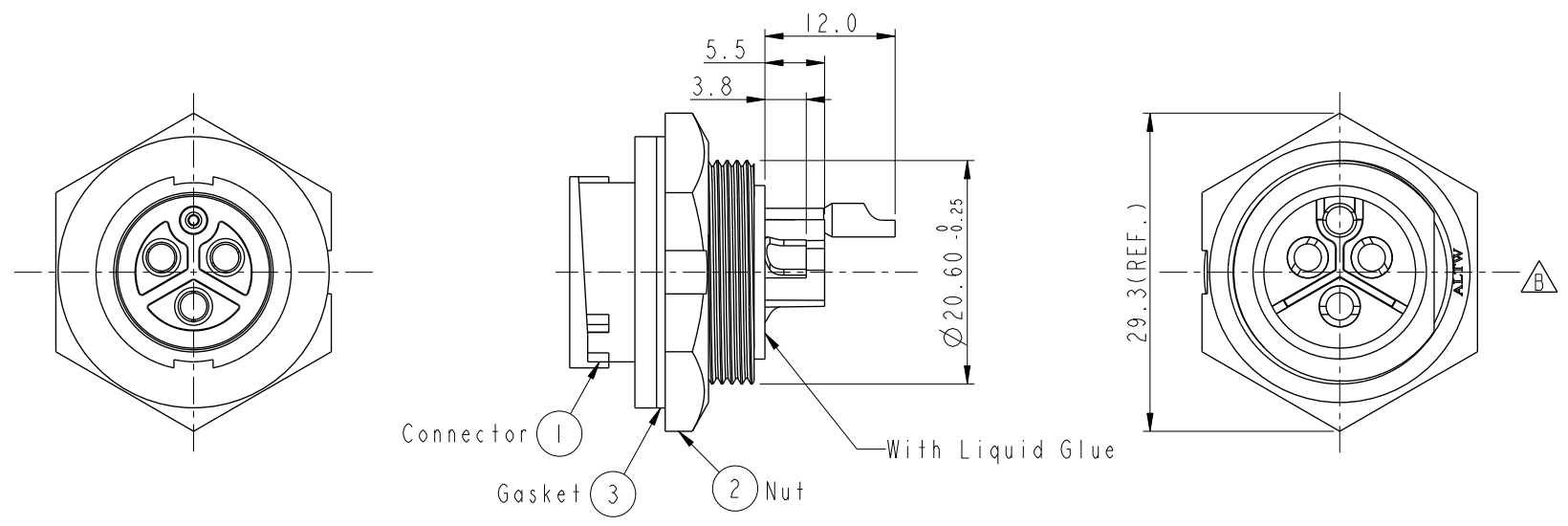
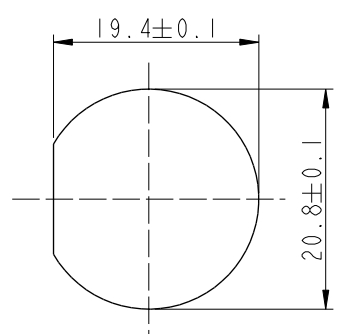


THIS DOCUMENT IS SUBJECT TO CHANGE WITHOUT NOTICE. IT IS CONFIDENTIAL AND A PROPERTY OF Amphenol LTW. DISCLOSURE TO THIRD PARTY HAS TO BE AUTHORIZED BY Amphenol LTW.

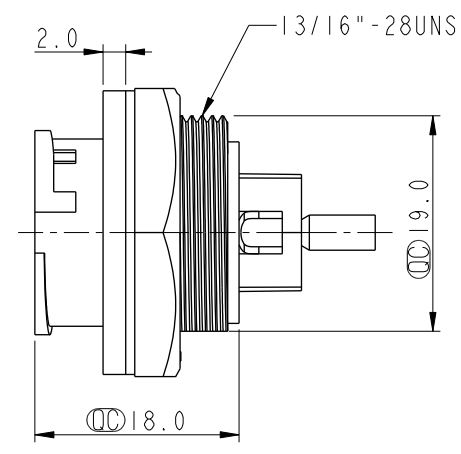
REV.	ECN NO.	DATE	SIGN	DESCRIPTION
B	C200524	2020/04/21	Vicky	△B*6



Pin Assignments  
Front View



Recommended  
Panel Cut-Out



- Note:
- \* Ⓞ Important Dimension To Check.
  - △B\* Waterproof Rate: IP67, Unmated
  - △B\* Connector: Thermoplastic, Black
  - \* Female Pin: Copper Alloy, Gold Plated
  - △B\* Nut: Thermoplastic, Black
  - △B\* Gasket: Rubber, Gray
  - \* Maximum Panel Thickness: 4.5mm
  - \* UL94V-0 Materials used
  - \* For UL2238 Certificated E318730

UNIT:mm		
TOLERANCE		
.X	±0.25	
.XX	±0.1	
.XXX	±0.05	
ANGLES	±1°	

TITLE PWR, 20+2A, 04P, REAR FASTENED M, F, SOLDER, 2LOCK			
SCALE 3:2	SIZE A4	SHEET 1 OF 1	
REV. B	WC-REV. A.1	Ⓞ: Inspection item	

**Amphenol LTW**  
安費諾亮泰企業股份有限公司

ITEM NO. PWCU-04RMFS-LC7002	DRAWN BY Ivan Lin	DATE 2010-01-28
DWG NO. PWCU-04RMFS-LC7002	CHECKED BY Aric	DATE 2010-01-29
CUSTOMER ALTW	APPROVED BY Max	DATE 2010-01-29