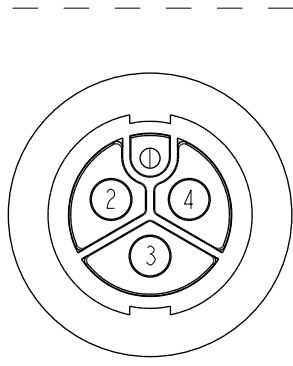
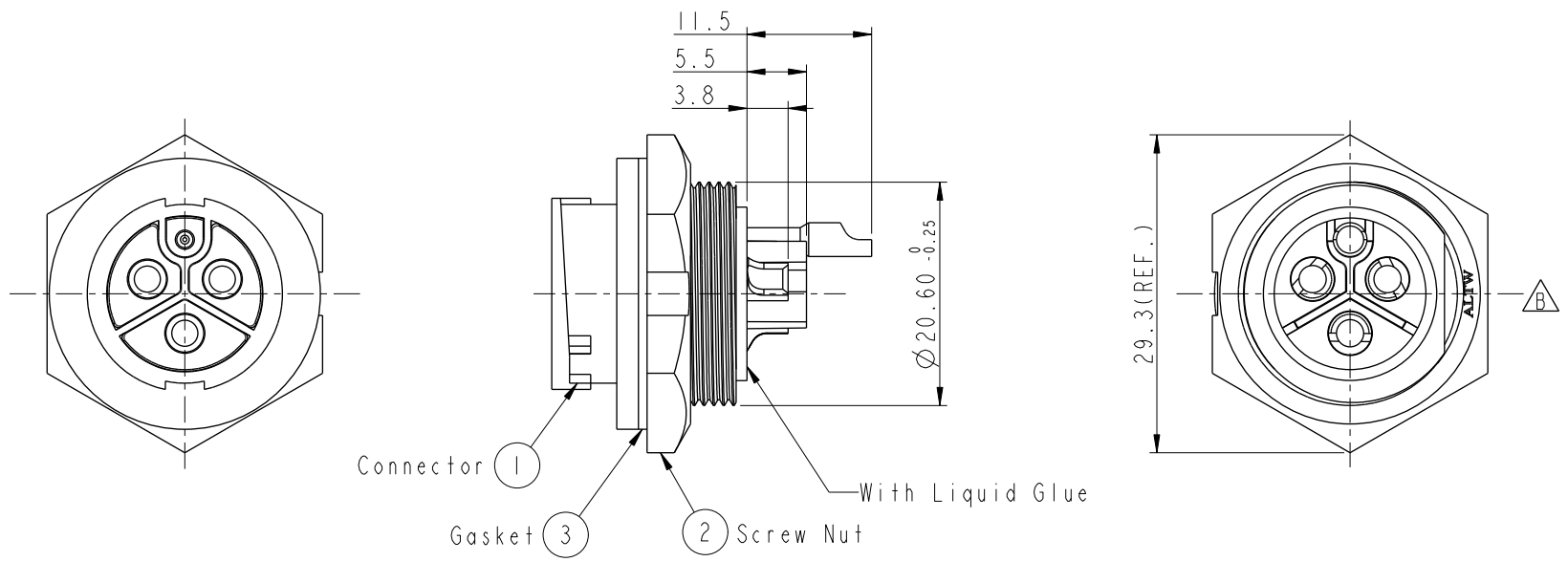
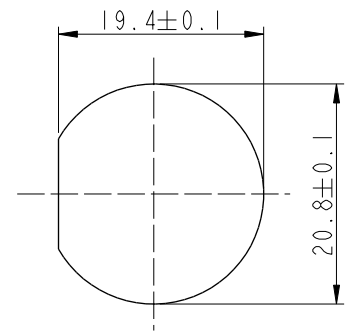


THIS DOCUMENT IS SUBJECT TO CHANGE WITHOUT NOTICE. IT IS CONFIDENTIAL AND A PROPERTY OF Amphenol LTW. DISCLOSURE TO THIRD PARTY HAS TO BE AUTHORIZED BY Amphenol LTW.

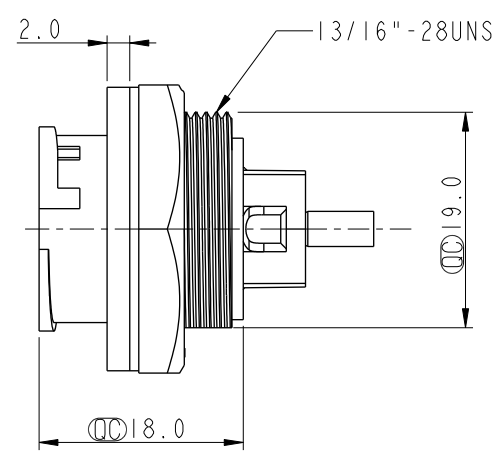
REV.	ECN NO.	DATE	SIGN	DESCRIPTION
B	C200524	2020/04/21	Vicky	$\triangle B$ *6



Pin Assignments Front View



Recommended Panel Cut-Out



Note:

- \*  $\text{CC}$  Important Dimension To Check.
- $\triangle B$ \* Waterproof Rate: IP67, Unmated
- $\triangle B$ \* Connector: Thermoplastic, Black
- \* Male Pin: Copper Alloy, Gold Plated
- $\triangle B$ \* Nut: Thermoplastic, Black
- $\triangle B$ \* Gasket: Rubber, Gray
- \* Maximum Panel Thickness: 4.5mm
- \* UL94V-0 Materials used
- \* For UL2238 Certificated E318730

UNIT:mm			TITLE PWR, 20+2A, 04P, REAR FASTENED M, M, SOLDER, 2LOCK
TOLERANCE .X ±0.25 .XX ±0.1 .XXX ±0.05 ANGLES ±1°	SCALE 3:2	SIZE A4	SHEET 1 OF 1
REV. B	WC-REV. A.1	$\text{CC}$ : Inspection item	

**Amphenol LTW**

安費諾亮泰企業股份有限公司

ITEM NO PWCU-04RMMS-LC7002	DRAWN BY Ivan Lin	DATE 2010-01-28
DWG NO PWCU-04RMMS-LC7002	CHECKED BY Aric	DATE 2010-01-29
CUSTOMER ALTW	APPROVED BY Max	DATE 2010-01-29