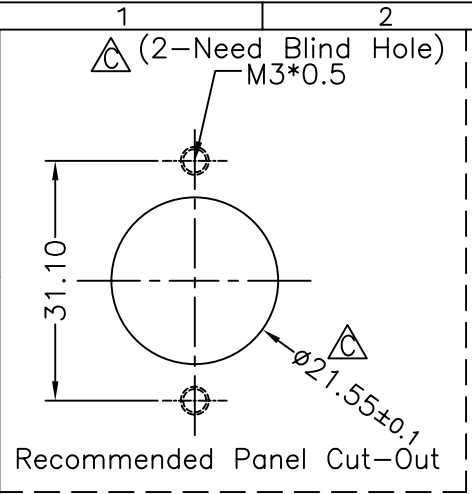
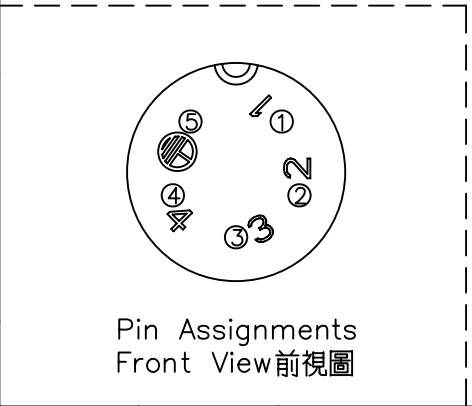
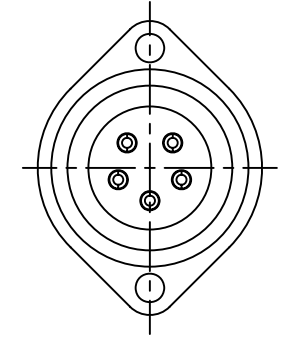
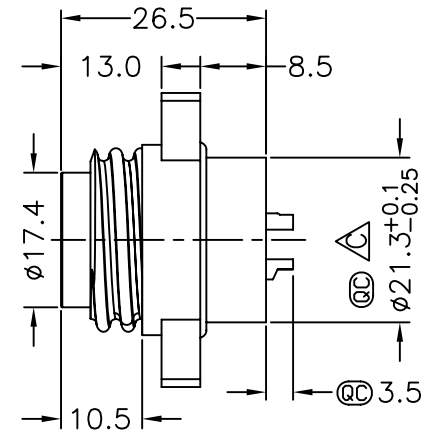
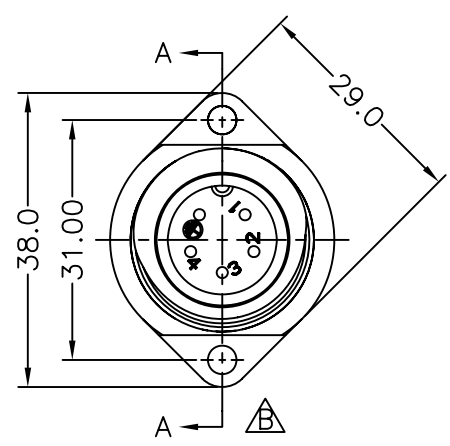


REV	ECN NO.	DATE	SIGN	DESCRIPTION
B	LEN-750086	2006/11/23	Hu Min	Change Size
C	LEN1190158	2011/08/28	Tony	Modify Dimenison & Note

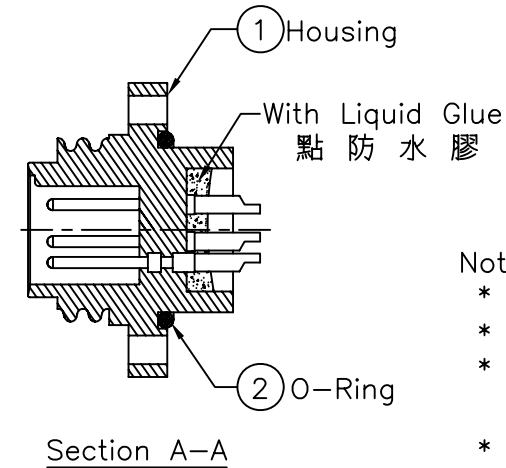
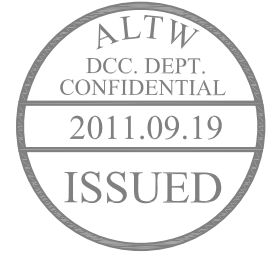
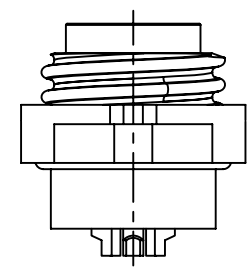
THIS DOCUMENT IS SUBJECT TO CHANGE WITHOUT NOTICE. IT IS CONFIDENTIAL AND A PROPERTY OF Amphenol LTW. DISCLOSURE TO THIRD PARTY HAS TO BE AUTHORIZED BY Amphenol LTW.



Recommended Panel Cut-Out



Pin Assignments Front View 前視圖



- Note:
- * @C Important Dimension.
 - * Waterproof Rate : IP67
 - * One Set in One LTW Sealed Bag (每一組裝, 放置於一個 LTW封口袋)
 - * Housing:Nylon+GF,Black.
 - * Male pin:Copper Alloy,Gold Plated
 - * O-Ring:Silicone 60,Gray.
 - * Liquid Glue:Clear.

UNIT:mm		TITLE Power,Panel Screw 5Pin M Conn M Pin	Amphenol LTW 安費諾亮泰企業股份有限公司		ITEM NO LTWPWE-05PMMS-SC7001	DRAWN BY Tony	DATE 2011/08/26
TOLERANCE .X ±0.25 .XX ±0.1 .XXX ±0.05 ANGLES ±1°	SCALE Free	SHEET 1 OF 1			DWG NO LTWPWE-05PMMS-SC7001	CHECKED BY Chang	DATE 2011/08/30
1	2	3	4	5	CUSTOMER ALTW	APPROVED BY LUKE	DATE 2011/08/30