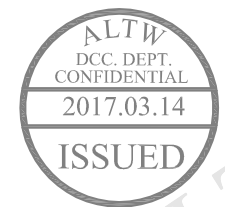
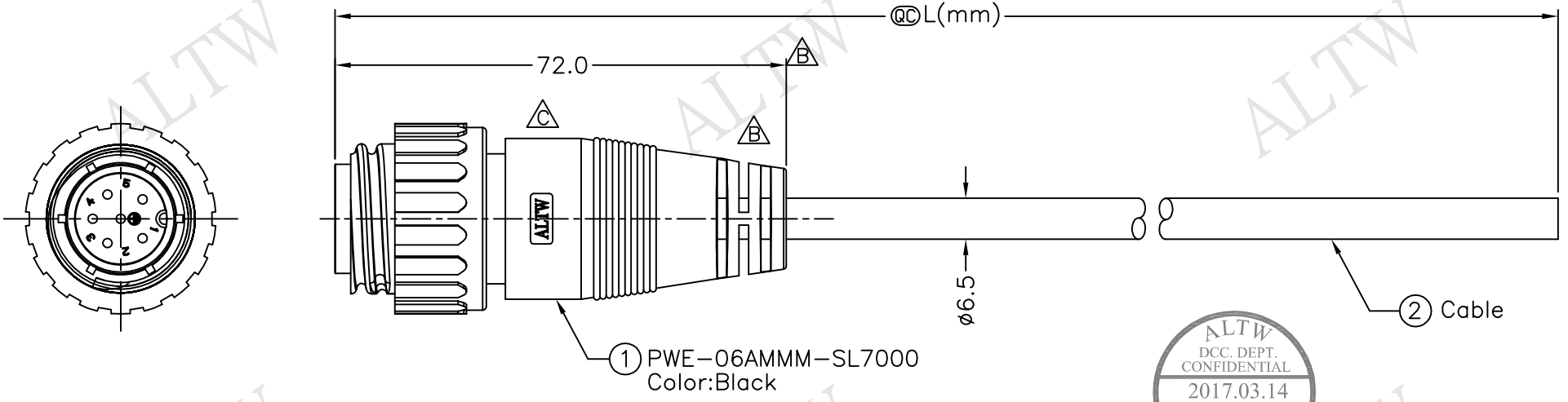
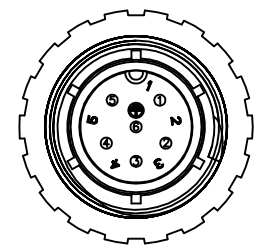


REV.	ECN NO.	DATE	SIGN	DESCRIPTION
B	LEN-940114~7	2009/03/11	Li Xiu Zhi	Change SR & Dimension
C	LEN1730112~115	2017/03/10	Ruru	Change Logo



PWE-06AMMM-SL7AXX
 XX:01~99Meter
 01:01Meter
 02:02Meters
 ...
 99:99Meters
 Cable Length(L):01~99Meters

- Note:
- * @C Important Dimensions To Check.
 - * Waterproof Rate: IP67
 - * Housing: Nylon+GF, Black
 - * Pin: Copper Alloy, Gold Plated
 - * O-Ring: EPDM, Black
 - * Nut: Nylon+GF, Black
 - * Cable: UL2464 20WG*6C+D+AL, PVC Jacket UV Resistant, OD=6.5mm, Black
 - * Cable Length Tolerance:
 - 01M:40mm
 - 02M~05M:60mm
 - 06M~10M:100mm
 - 11M~30M:200mm
 - 31M~99M:500mm



Pin Assignments
Front View 前視圖

6	Grey	灰
5	Yellow	黃
4	Green	綠
3	White	白
2	Blue	藍
1	Brown	棕
Conn.	Wire Color	Pin Out

UNIT:mm	TITLE Power,Cable Screw 6Pin M Conn. M Pin	
TOLERANCE ±0.5	SCALE Free	SHEET 1 OF 1
REV. C	SIZE A4	@C :Inspection Item

Amphenol LTW 安費諾亮泰企業股份有限公司	ITEM NO	DRAWN BY Ruru	DATE 2017/03/10
	DWG NO PWE-06AMMM-SL7AXX	CHECKED BY Rita	DATE 2017/03/10
	CUSTOMER ALTW	APPROVED BY Max	DATE 2017/03/10

THIS DOCUMENT IS SUBJECT TO CHANGE WITHOUT NOTICE. IT IS CONFIDENTIAL AND A PROPERTY OF Amphenol LTW. DISCLOSURE TO THIRD PARTY HAS TO BE AUTHORIZED BY Amphenol LTW.