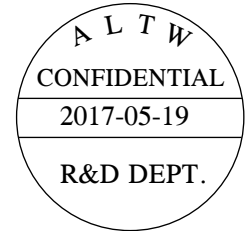
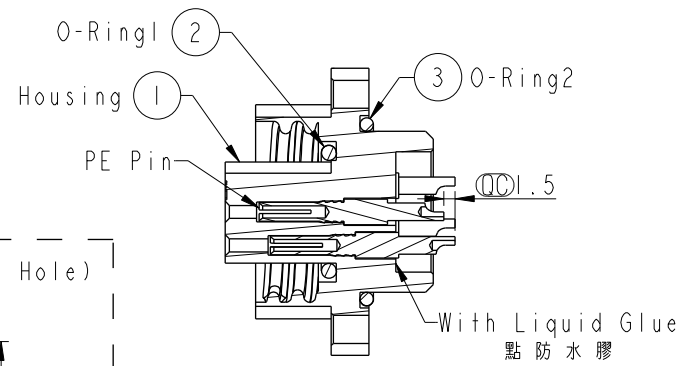
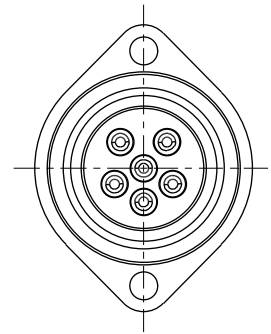
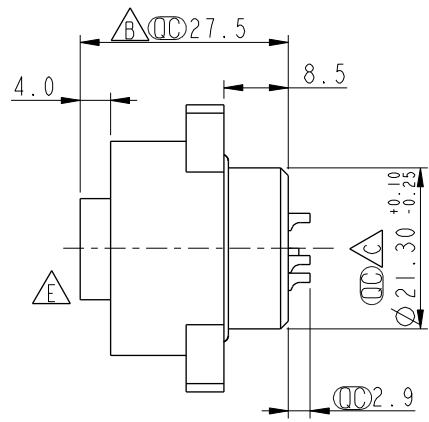
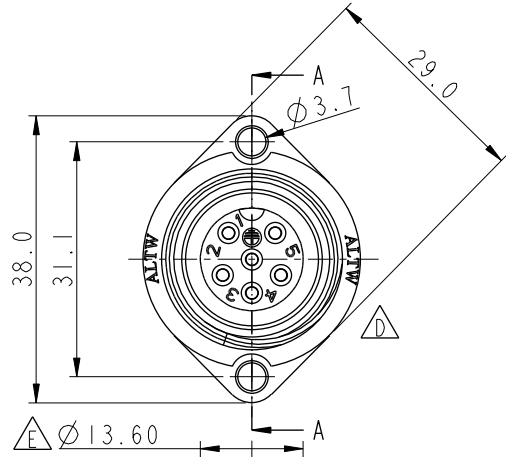
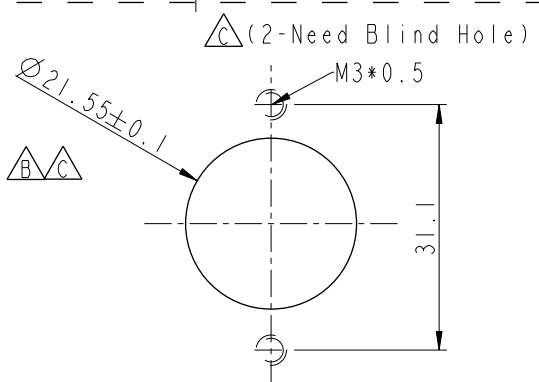


REV.	ECN NO.	DATE	SIGN	DESCRIPTION
C	LEN1190159	2011/08/26	Tony	Modify Dimension & Note
D	LEN15A0430	2015/10/19	Ruru	Change Logo
E	LEN1750399	2017/05/19	Chingmei	Change Dimension Location.



Pin Assignments Front View前視圖



Recommended Panel Cut-Out

- Note:
- * (Circled with double lines) Important Dimension
 - * Waterproof Rate: IP67
 - * One Set in One LTW Sealed Bag (每一組裝, 放置於一個 LTW 封口袋)
 - * Housing: Nylon+GF, Black.
 - * Female Pin: Copper Alloy, Gold Plated
 - * O-Ring1: EPDM 70, Black
 - * O-Ring2: Silicone 60, Gray
 - * Liquid Glue: Clear

UNIT:mm		TITLE Power, Panel Screw 6P F Conn F Pin			ITEM NO PWE-06PFFS-SC7001	DRAWN BY Chingmei	DATE 2017-05-19	
		TOLERANCE .X ±0.25 .XX ±0.1 .XXX ±0.05 ANGLES ±1°			SCALE 1:1	SIZE A4	SHEET 1 OF 1	DWG NO PWE-06PFFS-SC7001
		REV. E	WC-REV. A.7	(Circled with double lines): Inspection item	CUSTOMER ALTW	APPROVED BY Max	DATE 2017-05-19	

Amphenol LTW
安費諾亮泰企業股份有限公司

THIS DOCUMENT IS SUBJECT TO CHANGE WITHOUT NOTICE. IT IS CONFIDENTIAL AND A PROPERTY OF AMPHENOL LTW. DISCLOSURE TO THIRD PARTY HAS TO BE AUTHORIZED BY AMPHENOL LTW.