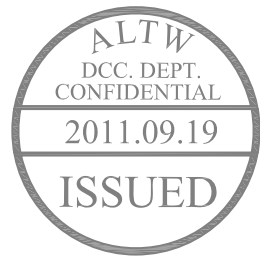
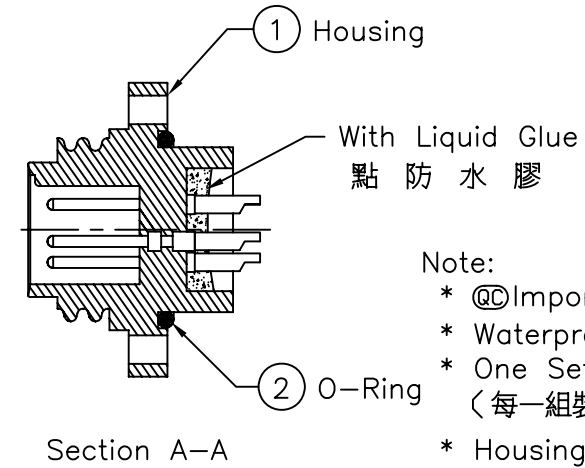
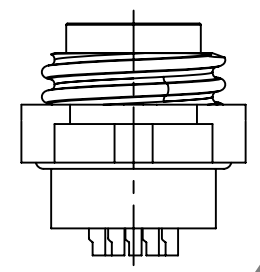
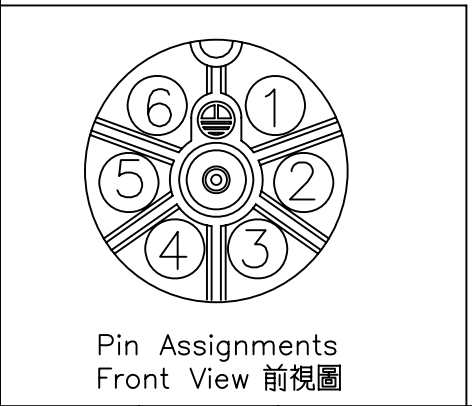
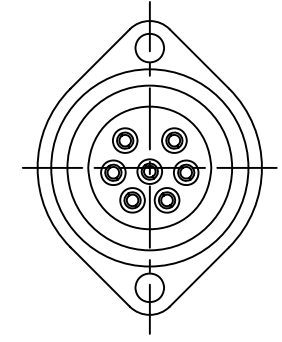
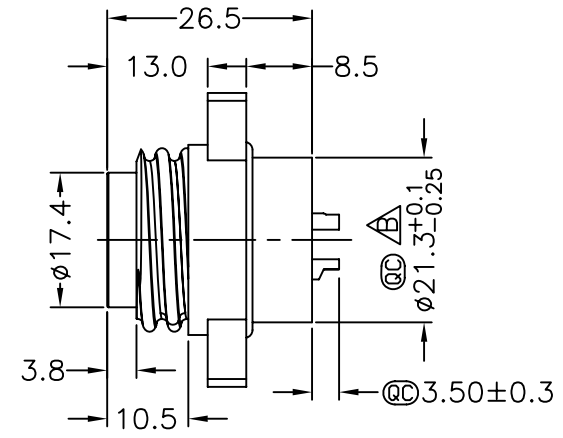
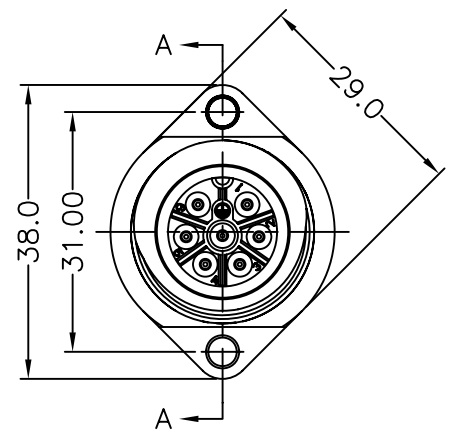
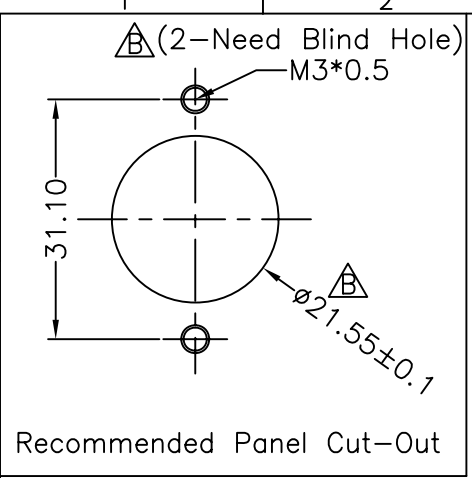


REV. B	ECN NO. LEN1190162	DATE 2011/08/26	SIGN Tony	DESCRIPTION Modify Dimension & Note



- Note:
- * @@ Important Dimension.
 - * Waterproof Rate : IP67
 - * One Set in One LTW Sealed Bag (每一組裝, 放置於一個 LTW 封口袋)
 - * Housing: Nylon+GF, Black.
 - * Male pin: Copper Alloy, Gold Plated
 - * O-Ring: Silicone 60, Gray.
 - * Liquid Glue: Clear.

UNIT:mm		TITLE 6+PE POWER CONNECTOR(8A)	Amphenol LTW		ITEM NO LTWPWE-07PMMS-SC7001	DRAWN BY Tony	DATE 2011/08/26
TOLERANCE .X ±0.25 .XX ±0.1 .XXX ±0.05 ANGLES ±1°	SCALE Free	SHEET 1 OF 1	安費諾亮泰企業股份有限公司		DWG NO LTWPWE-07PMMS-SC7001	CHECKED BY Chang	DATE 2011/08/30
REV. B	SIZE A4	@C : Inspection Item	CUSTOMER ALTW		APPROVED BY LUKE	DATE 2011/08/30	8 FMW10702-01-01A2

THIS DOCUMENT IS SUBJECT TO CHANGE WITHOUT NOTICE. IT IS CONFIDENTIAL AND A PROPERTY OF Amphenol LTW. DISCLOSURE TO THIRD PARTY HAS TO BE AUTHORIZED BY Amphenol LTW.