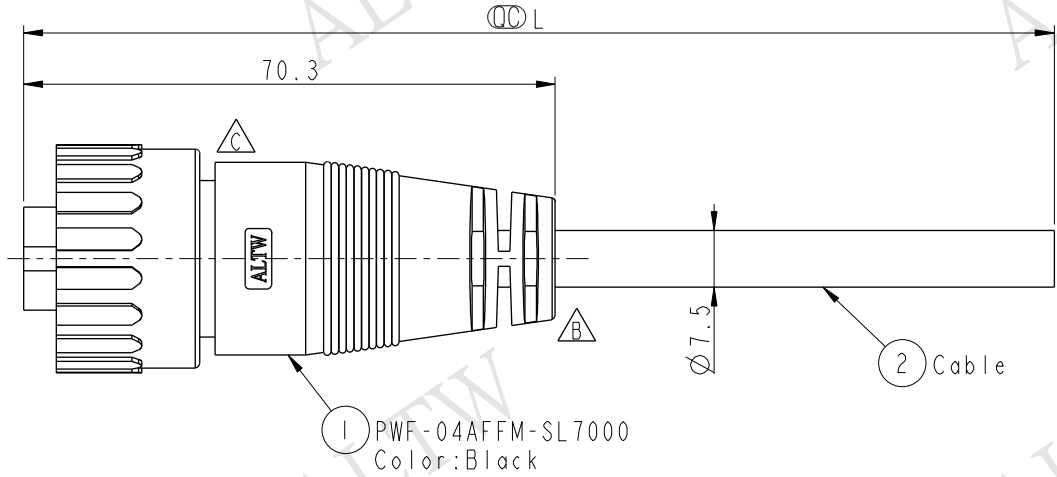
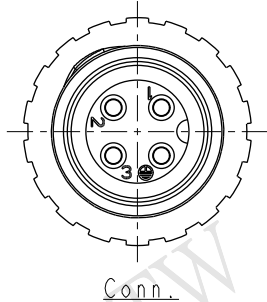
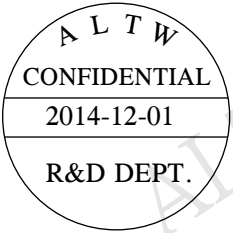
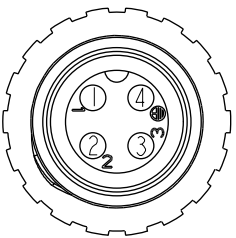


REV.	ECN NO.	DATE	SIGN	DESCRIPTION
B	LEN-8C0189-92	2008/10/30	Li Xiu Zhi	Change SR
C	LEN14C0110-13	2014/12/01	Sam	Update Logo&View.



PWF-04AFFM-SL7AXX
 XX:01~99Meter
 01:01Meter
 02:02Meters
 ...
 99:99Meters



Pin Assignments
Front View 前視圖

4	Orange	橙
3	Red	紅
2	Browm	棕
1	Black	黑
Conn.	Wire Color	
Pin Out		

- Note:
- * Ⓞ Important Dimension.
 - * Waterproof Rate : IP67.
 - * Housing:Nylon+GF,Black.
 - * Pin:Copper Alloy, Gold Plated.
 - * Ring:EPDM,Black.
 - * Screw Nut:Nylon+GF,Black.
 - * Cable: UL2464 16AWG*4C+D+AL/My UV Resistant,OD=7.5mm,Black.
 - * Liquid Glue:Clear.
 - * Cable Length Tolerance:01M:40mm
02M~05M:60mm
06M~10M:100mm
11M~30M:200mm
31M~99M:500mm

UNIT:mm TOLERANCE ± 0.5 mm	TITLE 3+PE F Conn F Pin(I2A) Screw Type For Cable			Amphenol LTW 安費諾亮泰企業股份有限公司	ITEM NO	DRAWN BY Sam	DATE 2014-12-01
	SCALE 1:1	SIZE A4	SHEET 1 OF 1		DWG NO PWF-04AFFM-SL7AXX	CHECKED BY Vicky	DATE 2014-12-01
	REV. C	WC-REV. A.1	Ⓞ : Inspection item		CUSTOMER ALTW	APPROVED BY Rita	DATE 2014-12-01

THIS DOCUMENT IS SUBJECT TO CHANGE WITHOUT NOTICE. IT IS CONFIDENTIAL AND A PROPERTY OF Amphenol LTW. DISCLOSURE TO THIRD PARTY HAS TO BE AUTHORIZED BY Amphenol LTW.