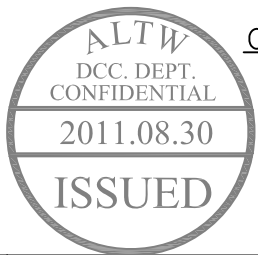
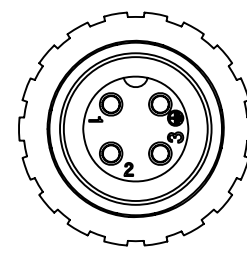
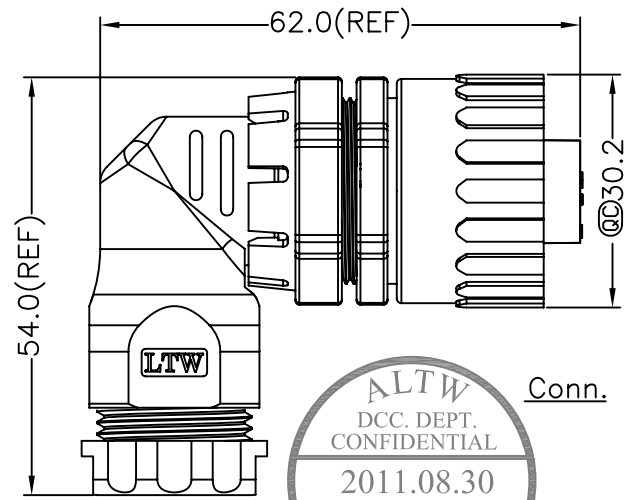
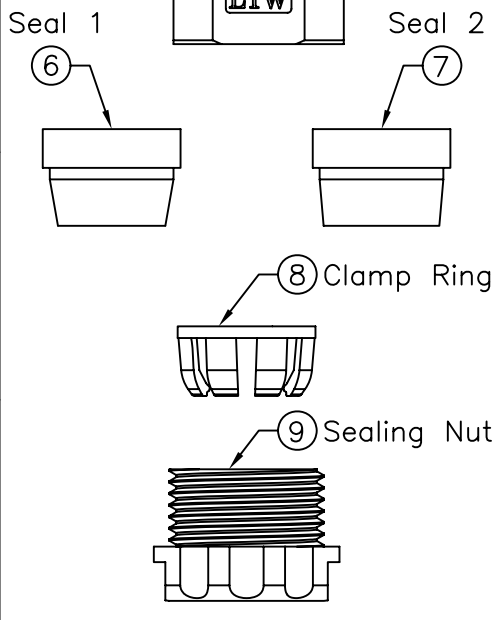
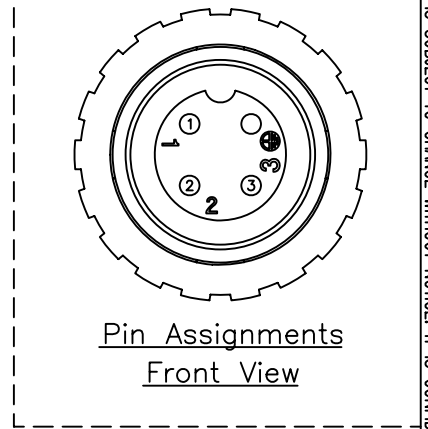
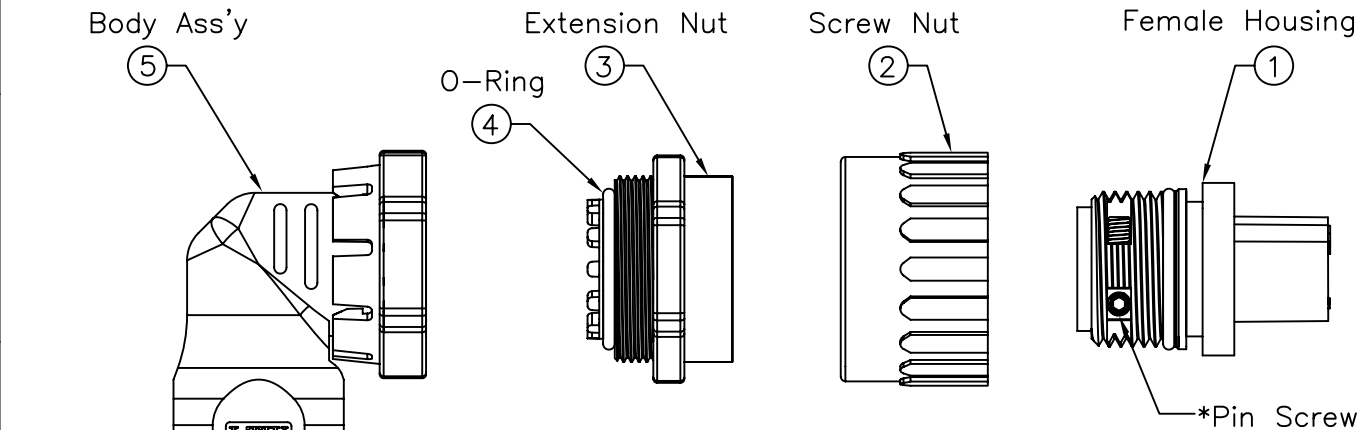


REV.	ECN NO.	DATE	SIGN	DESCRIPTION
A	Initial Release	2010/03/24	Dominic	
B	LEN1180134	2011/08/27	baowei	Add Wire Size

THIS DOCUMENT IS SUBJECT TO CHANGE WITHOUT NOTICE. IT IS CONFIDENTIAL AND A PROPERTY OF Amphenol LTW. DISCLOSE TO THIRD PARTY HAS TO BE AUTHORIZED BY Amphenol LTW.



- Note:
- * @@Important Dimensions To Check.
 - * Waterproof Rate: IP67
 - * Female Housing: Nylon+GF, Black
 - * Female Pin: Copper Alloy, Silver Plated
 - * Pin Screws: 1.5mm(HEX), Stainless Steel For wire assembly, tightened by tool.
 - * O-ring: Silicone, Gray
 - * Seal 1: For Cable OD: $\phi 6.0\text{mm} \sim 9.0\text{mm}$
 - * Seal 2: For Cable OD: $\phi 9.0\text{mm} \sim 12.5\text{mm}$
 - * Flame Class: UL94V-0
 - ⑩ * One Set Unassembled in one PE Bag
 - * 1.5mm Hex Tool for Screws sold separately
 - △ * Wire Size Range: 14AWG~18AWG

UNIT:mm	
TOLERANCE	
±0.5 mm	

TITLE Assy Right Angle F Power Conn. Screw in Pins,16Amp (Silver Plated)			
SCALE	Free	SHEET	1 OF 1
REV.	B	SIZE	A4
QC : Inspection Item			

Amphenol LTW
安費諾亮泰企業股份有限公司

ITEM NO	LTWPWG-04BFFB-SR7002
DWG NO	LTWPWG-04BFFB-SR7002
CUSTOMER	

DRAWN BY	baowei
CHECKED BY	Micky
APPROVED BY	Victor

DATE	2011/08/27
DATE	2011/08/27
DATE	2011/08/27