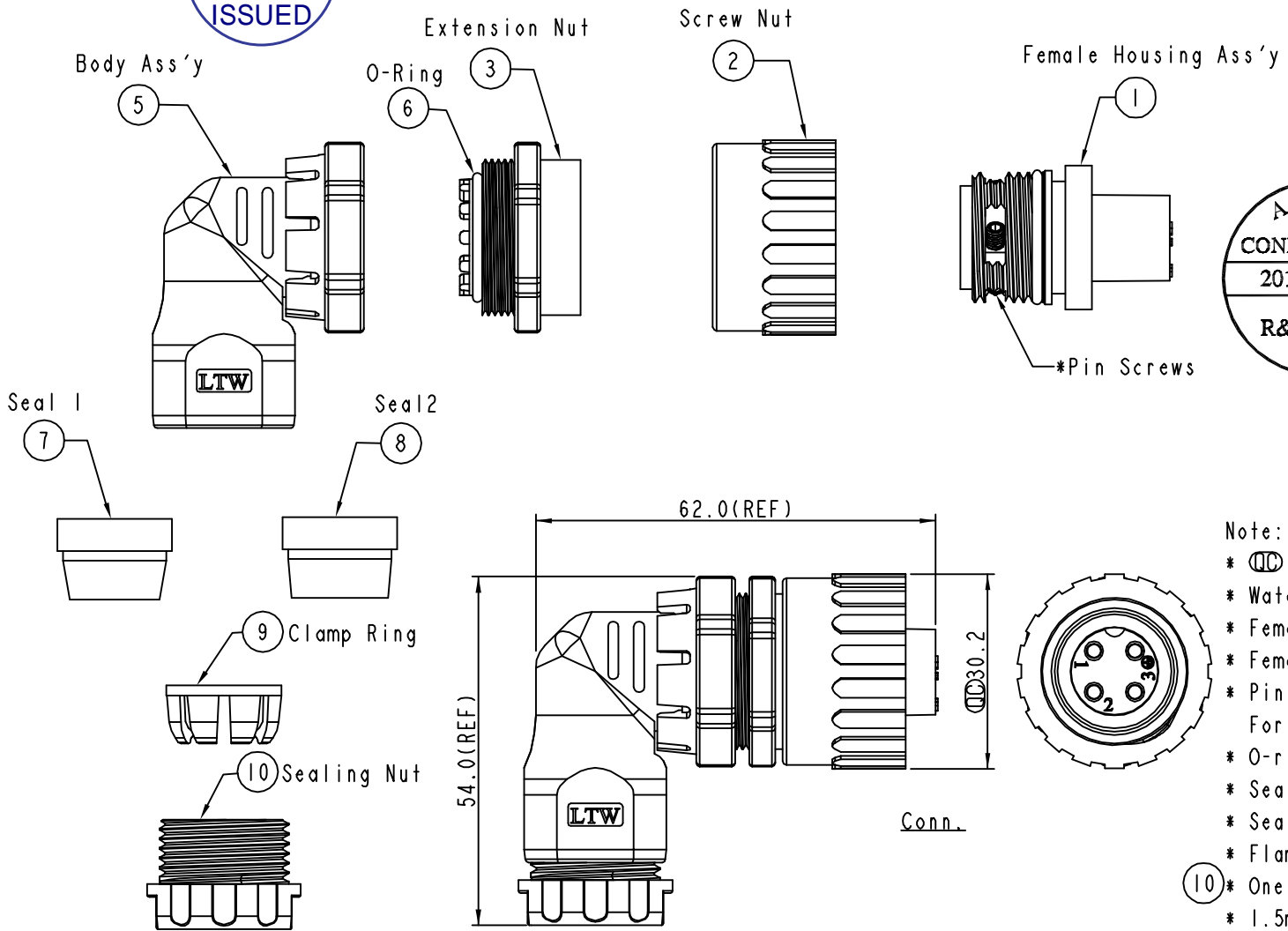


THIS DOCUMENT IS SUBJECT TO CHANGE WITHOUT NOTICE. IT IS CONFIDENTIAL AND A PROPERTY OF AMPHENOL LTW. DISCLOSURE TO THIRD PARTY HAS TO BE AUTHORIZED BY AMPHENOL LTW.

REV.	ECN NO.	DATE	SIGN	DESCRIPTION
B	LEN1180135	2011/08/30	baowei	Add wire size

ALTW DCC.  
 2011.08.31  
 ISSUED



ALTW  
 CONFIDENTIAL  
 2011-08-30  
 R&D DEPT.

- Note:
- \*  $\varnothing$  Important Dimensions To Check.
  - \* Waterproof Rate: IP67
  - \* Female Housing: Nylon+GF, Black
  - \* Female Pin: Copper Alloy, Tin Plated
  - \* Pin Screws: 1.5mm(HEX), Stainless Steel  
For wire assembly, tightened by tool.
  - \* O-ring: Silicone, Gray
  - \* Seal 1: For Cable OD:  $\varnothing$ 6.0mm~9.0mm
  - \* Seal 2: For Cable OD:  $\varnothing$ 9.0mm~12.5mm
  - \* Flame Class: UL94V-0
  - ⑩ \* One Set Unassembled in one PE Bag
  - \* 1.5mm Hex Tool for Screws sold separately
  - △ \* Wire Size Range: 14AWG~18AWG

UNIT: mm	
TOLERANCE	
.X	±0.25
.XX	±0.1
.XXX	±0.05
ANGLES	±1

TITLE Assy Right Angle F Power Conn. Screw in Pins, 16Amp (Tin Plated)			
SCALE	SIZE	SHEET	OF
1:1	A4	1	1
REV.	WC-REV.	QC: Inspection item	
B	B.6		

**Amphenol LTW**  
 安費諾亮泰企業股份有限公司

ITEM NO	LTWPWG-04BFFB-SR7003
DWG NO	LTWPWG-04BFFB-SR7003
CUSTOMER	ALTW

DRAWN BY	Baowei
CHECKED BY	Micky
APPROVED BY	Victor

DATE	2011-08-30
DATE	2011-08-30
DATE	2011-08-30