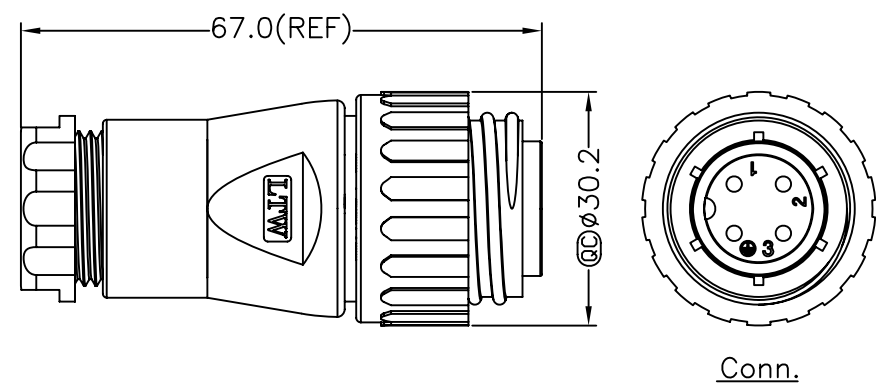
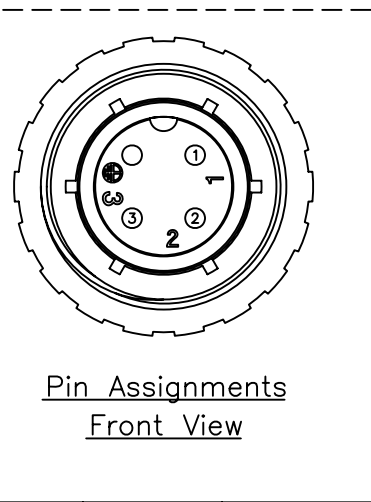
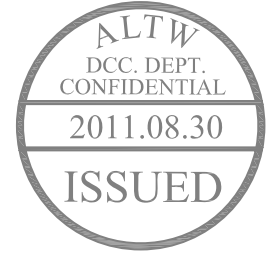
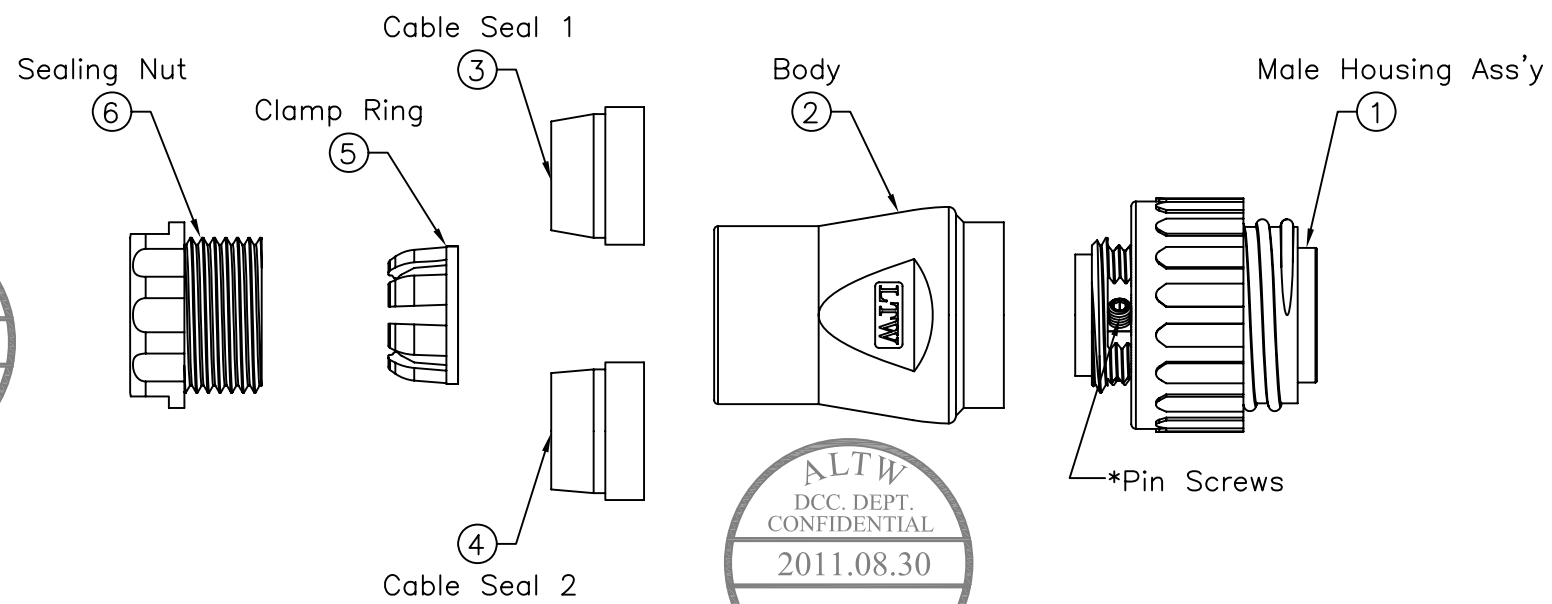


| REV. | ECN NO. | DATE | SIGN | DESCRIPTION |
|------|-----------------|------------|---------|---------------|
| A | Initial Release | 2010/03/24 | Dominic | |
| B | LEN1180136 | 2011/08/27 | baowei | Add Wire Size |

THIS DOCUMENT IS SUBJECT TO CHANGE WITHOUT NOTICE. IT IS CONFIDENTIAL AND A PROPERTY OF Amphenol LTW. DISCLOSURE TO THIRD PARTY HAS TO BE AUTHORIZED BY Amphenol LTW.



- Note:
- * @C Important Dimensions To Check.
 - * Waterproof Rate: IP67
 - * Male Housing: Nylon+GF, Black
 - * Male Pin: Copper Alloy, Gold Plated
 - * Pin Screws: 1.5mm(HEX), Stainless Steel
For wire assembly, tightened by tool.
 - * O-ring: Silicone, Gray
 - * Seal 1: For Cable OD: ø6.0mm~9.0mm
 - * Seal 2: For Cable OD: ø9.0mm~12.5mm
 - * Flame Class: UL94V-0
 - ⑦ * One Set Unassembled in one PE Bag
 - * 1.5mm Hex Tool for Screws sold separately
 - ⚠ * Wire Size Range: 14AWG~18AWG

| | | | | | | | |
|---------|--|--|---------------|--------------------------------------|---------------------------------|--------------------------------|---------------------|
| UNIT:mm | | TITLE Assy Male Power Conn. 16Amp. Screw in Type Pin (Gold Plated) | | Amphenol LTW 安費諾亮泰企業股份有限公司 | ITEM NO LTWPWG-04BMMB-SL7001 | DRAWN BY baowei | DATE 2011/08/27 |
| | | TOLERANCE ±0.5 mm | SCALE Free | | SHEET 1 OF 1 | DWG NO LTWPWG-04BMMB-SL7001 | CHECKED BY Micky |
| | | REV. B | SIZE A4 | @C :Inspection Item | CUSTOMER | APPROVED BY Victor | DATE 2011/08/27 |