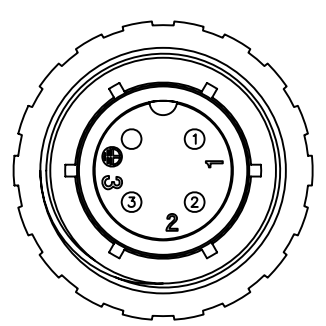
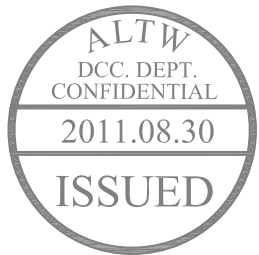
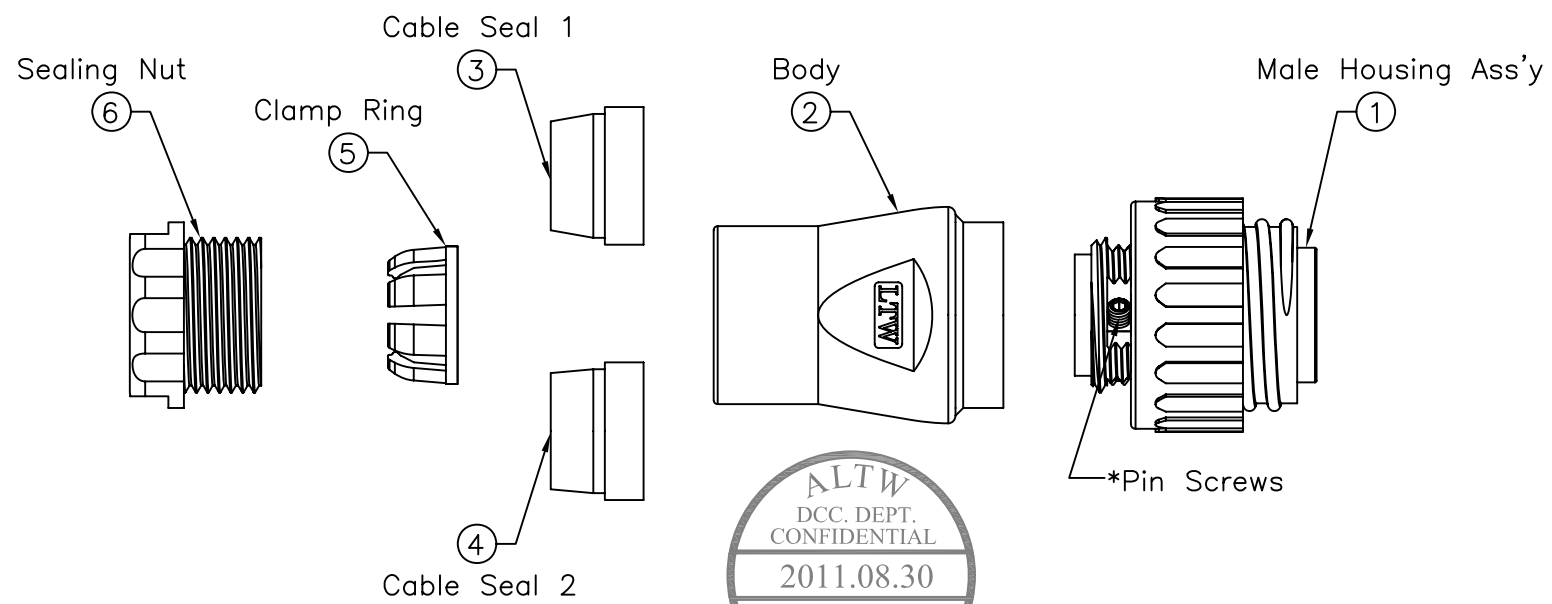
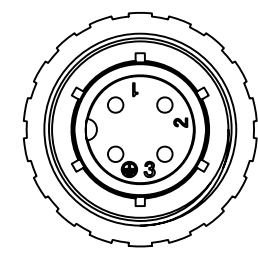
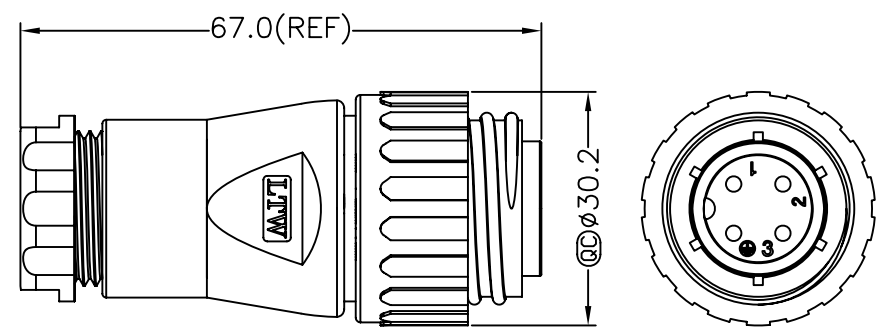


| REV. | ECN NO. | DATE | SIGN | DESCRIPTION |
|------|-----------------|------------|---------|---------------|
| A | Initial Release | 2010/03/24 | Dominic | |
| B | LEN1180137 | 2011/08/27 | baowei | Add Wire Size |



Pin Assignments
Front View



Conn.

Note:

- * @C Important Dimensions To Check.
- * Waterproof Rate: IP67
- * Male Housing: Nylon+GF, Black
- * Male Pin: Copper Alloy, Silver Plated
- * Pin Screws: 1.5mm(HEX), Stainless Steel
For wire assembly, tightened by tool.
- * O-ring: Silicone, Gray
- * Seal 1: For Cable OD: ø6.0mm~9.0mm
- * Seal 2: For Cable OD: ø9.0mm~12.5mm
- * Flame Class: UL94V-0
- ⑦ * One Set Unassembled in one PE Bag
- * 1.5mm Hex Tool for Screws sold separately
- △ * Wire Size Range: 14AWG~18AWG

| | |
|-----------|--|
| UNIT:mm | |
| TOLERANCE | |
| ±0.5 mm | |

| | | | |
|--|------|-------|--------|
| TITLE Assy Male Power Conn. 16Amp. Screw in Type Pin (Silver Plated) | | | |
| SCALE | Free | SHEET | 1 OF 1 |
| REV. | B | SIZE | A4 |
| ④ : Inspection Item | | | |

Amphenol LTW
安費諾亮泰企業股份有限公司

| | |
|----------|----------------------|
| ITEM NO | LTWPWG-04BMMB-SL7002 |
| DWG NO | LTWPWG-04BMMB-SL7002 |
| CUSTOMER | |

| | |
|-------------|--------|
| DRAWN BY | baowei |
| CHECKED BY | Micky |
| APPROVED BY | Victor |

| | |
|------|------------|
| DATE | 2011/08/27 |
| DATE | 2011/08/27 |
| DATE | 2011/08/27 |

THIS DOCUMENT IS SUBJECT TO CHANGE WITHOUT NOTICE. IT IS CONFIDENTIAL AND A PROPERTY OF Amphenol LTW. DISCLOSURE TO THIRD PARTY HAS TO BE AUTHORIZED BY Amphenol LTW.