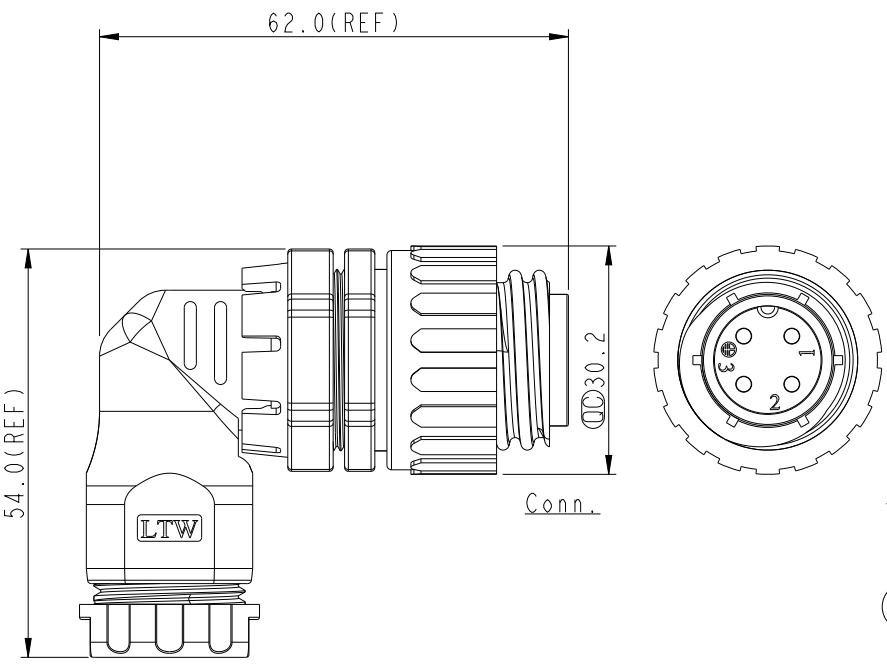
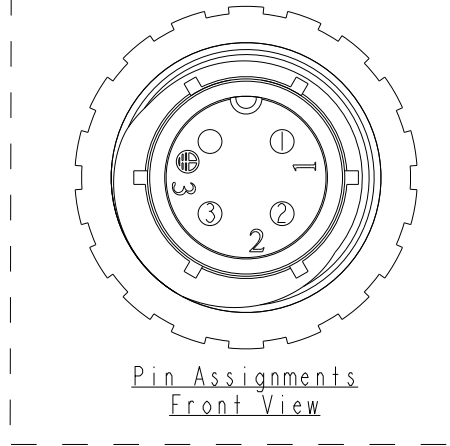
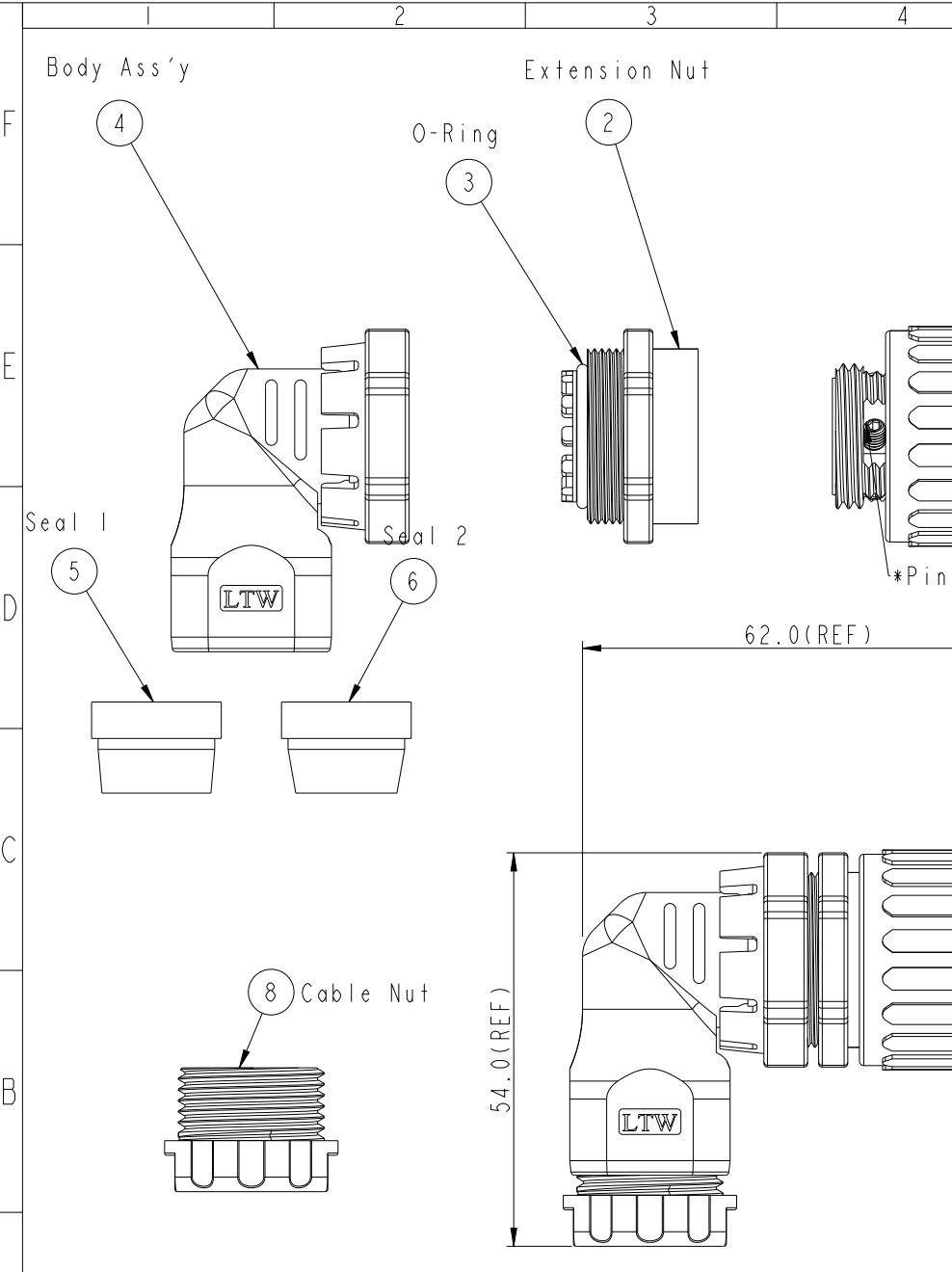


THIS DOCUMENT IS SUBJECT TO CHANGE WITHOUT NOTICE. IT IS CONFIDENTIAL AND A PROPERTY OF Amphenol LTW. DISCLOSURE TO THIRD PARTY HAS TO BE AUTHORIZED BY Amphenol LTW.

| REV. | ECN NO.         | DATE       | SIGN       | DESCRIPTION    |
|------|-----------------|------------|------------|----------------|
| A    | Initial Release | 2010/03/24 | Dominic    |                |
| B    | LEN1180139      | 2011/08/27 | Baowei     | Add Wire Side  |
| C    | C221109         | 2022/07/19 | Kyle Huang | $\triangle$ x1 |



- Note:
- \*  $\varnothing$  Important Dimensions To Check.
  - \* Waterproof Rate: IP67
  - \* Male Housing: Nylon+GF, Black
  - \* Male Pin: Copper Alloy, Gold Plated
  - \* Pin Screws: 1.5mm(HEX), Stainless Steel
  - For wire assembly, tightened by tool.
  - $\triangle$  \* O-ring: Silicone, Gray
  - \* Seal 1: For Cable OD:  $\varnothing$ 6.0mm~9.0mm
  - \* Seal 2: For Cable OD:  $\varnothing$ 9.0mm~12.5mm
  - \* Flame Class: UL94V-0
  - $\circ$  \* One Set Unassembled in one PE Bag
  - \* 1.5mm Hex Tool for Screws sold separately
  - $\triangle$  \* Wire Size Range: 14AWG~18AWG

|   |                |                                 |  |
|---|----------------|---------------------------------|--|
| UNIT:mm   |                |                                 | TITLE<br>Assy Right Angle M Power Conn.<br>Screw in Pins,16Amp (Gold Plated) |
| TOLERANCE<br>.X ±0.25<br>.XX ±0.1<br>.XXX ±0.05<br>ANGLES ±1° | SCALE<br>1:1   | SIZE<br>A4                      | SHEET<br>1 OF 1  |
| REV.<br>C   | WC-REV.<br>A.3 | $\varnothing$ : Inspection item |  |

**Amphenol LTW**  
安費諾亮泰企業股份有限公司

|                              |                           |                    |
|------------------------------|---------------------------|--------------------|
| ITEM NO<br>PWG-04BMMB-SR7001 | DRAWN BY<br>DEL_Jason_lin | DATE<br>2012-08-20 |
| DWG NO<br>PWG-04BMMB-SR7001  | CHECKED BY<br>Jeffrey     | DATE<br>2012-09-13 |
| CUSTOMER<br>ALTW             | APPROVED BY<br>Maslow     | DATE<br>2012-09-13 |