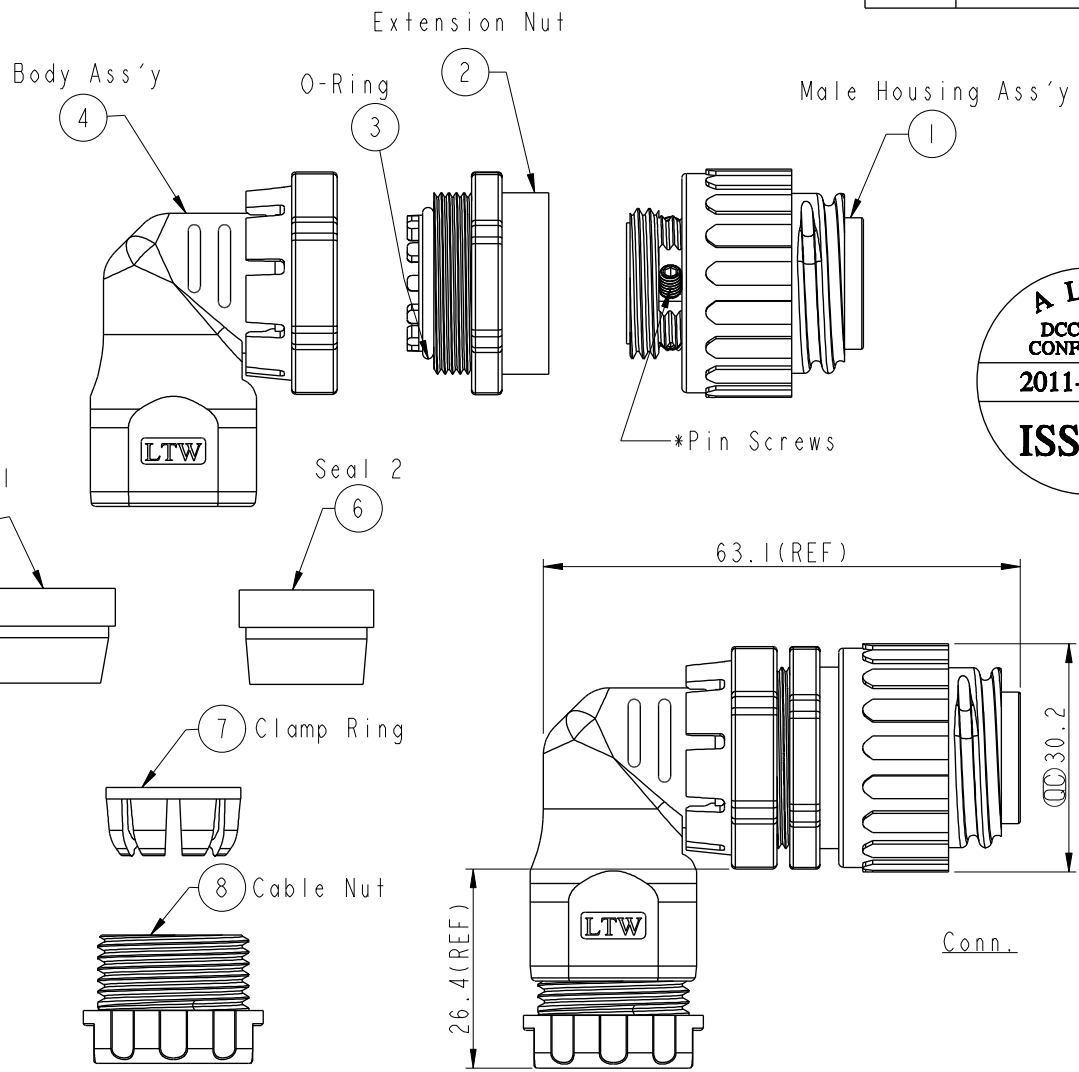


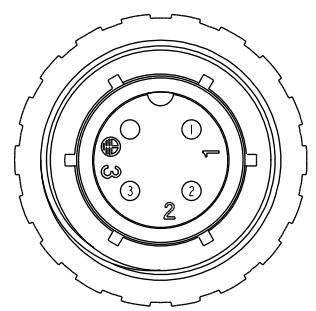
REV.	ECN NO.	DATE	SIGN	DESCRIPTION
B	LEN1180141	2011/08/30	baowei	Add wire size

F
E
D
C
B
A



ALTW
CONFIDENTIAL
2011-08-30
R&D DEPT.

ALTW
DCC. DEPT.
CONFIDENTIAL
2011-08-31
ISSUED



Pin Assignments
Front View

- Note:
- * \varnothing Important Dimensions To Check.
 - * Waterproof Rate: IP67
 - * Male Housing: Nylon+GF, Black
 - * Male Pin: Copper Alloy, Tin Plated
 - * Pin Screws: 1.5mm(HEX), Stainless Steel
For wire assembly, tightened by tool.
 - * O-ring: Silicone, Black
 - * Seal 1: For Cable OD: \varnothing 6.0mm~9.0mm
 - * Seal 2: For Cable OD: \varnothing 9.0mm~12.5mm
 - * Flame Class: UL94V-0
 - ⑨ * One Set Unassembled in one PE Bag
 - * 1.5mm Hex Tool for Screws sold separately
 - △ * Wire Size Range: 14AWG~18AWG

UNIT: mm		
TOLERANCE	.X	± 0.25
	.XX	± 0.1
	.XXX	± 0.05
ANGLES		$\pm 1^\circ$

TITLE Assy Right Angle M Power Conn. Screw in Pins, 16Amp (Tin Plated)			
SCALE	SIZE	SHEET	OF
1:1	A4	1	1
REV.	WC-REV.	\varnothing : Inspection item	
B	A.5		

Amphenol LTW
安費諾亮泰企業股份有限公司

ITEM NO.	PWG-04BMMB-SR7003	DRAWN BY	Baowei	DATE	2011-08-30
DWG NO.	PWG-04BMMB-SR7003	CHECKED BY	Micky	DATE	2011-08-30
CUSTOMER	ALTW	APPROVED BY	Victor	DATE	2011-08-30

THIS DOCUMENT IS SUBJECT TO CHANGE WITHOUT NOTICE. IT IS CONFIDENTIAL AND A PROPERTY OF AMPHENOL LTW. DISCLOSURE TO THIRD PARTY HAS TO BE AUTHORIZED BY AMPHENOL LTW.