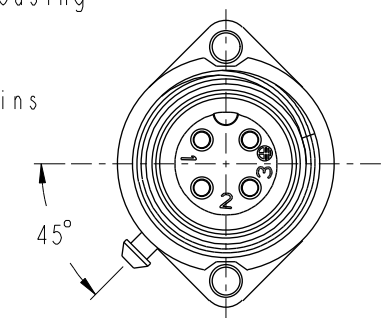
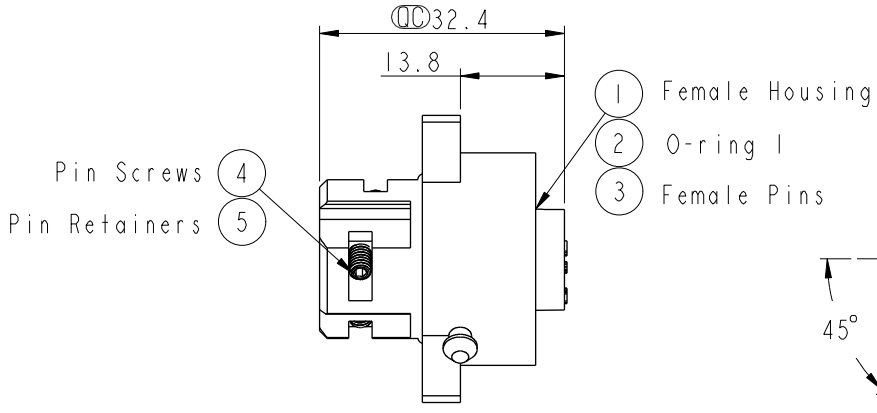
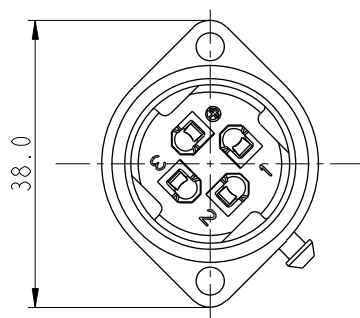


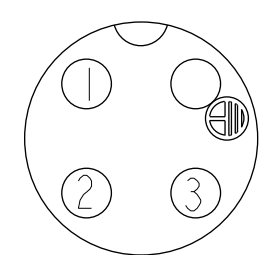
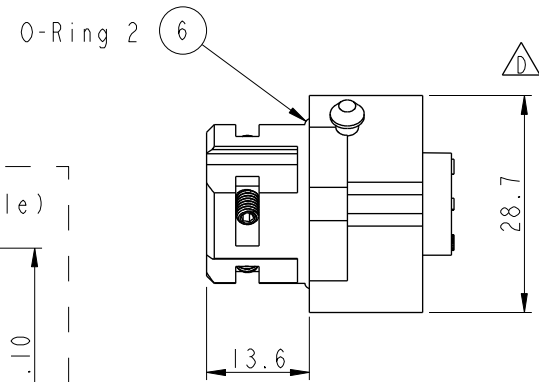
THIS DOCUMENT IS SUBJECT TO CHANGE WITHOUT NOTICE. IT IS CONFIDENTIAL AND A PROPERTY OF AMPHENOL LTW. DISCLOSURE TO THIRD PARTY HAS TO BE AUTHORIZED BY AMPHENOL LTW.

REV.	ECN NO.	DATE	SIGN	DESCRIPTION
B	LEN1130363	2011/03/11	Kevin Wang	Modify the Dimension
C	LEN1180142	2011/08/27	baowei	Add Wire Size
D	LEN1350170	2013/05/03	Sam	Change Dimension

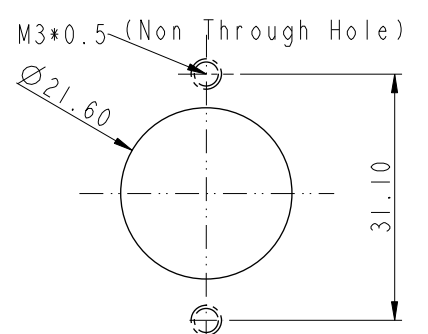
ALTW
CONFIDENTIAL
 2013-05-03
 R&D DEPT.



ALTW
 DCC. DEPT.
 CONFIDENTIAL
 2013.05.15
 ISSUED



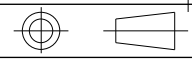
Pin Assignments
Front View



Recommended
Panel Cut-Out

- Note:
- * (CC) Important Dimensions To Check.
 - * Waterproof Rate: IP67
 - * Female Housing: Nylon+GF, Black
 - * Female Pin: Copper Alloy, Gold Plated
 - * Pin Screws: 1.5mm(HEX), Stainless Steel
 - For wire assembly, tightened by tool.
 - * Cond. Retainer: Copper Alloy, Gold Plated
 - * O-ring: Silicone, Gray
 - * Flame Class: UL94V-0
 - (7) * One Set Assembled in one PE Bag
 - (C) * 1.5mm Hex Tool for Screws sold separately
 - * Wire Size Range: 14AWG~18AWG

UNIT:mm



TOLERANCE	
.X	±0.25
.XX	±0.1
.XXX	±0.05
ANGLES	±1°

TITLE Panel Female Power Conn.16Amp Screw in Type Pin (Gold Plated)			
SCALE 1:1	SIZE A4	SHEET 1 OF 1	
REV. D	WC-REV. A.4	(CC): Inspection item	

Amphenol LTW
 安費諾亮泰企業股份有限公司

ITEM NO. PWG-04PFFB-SC7001	DRAWN BY SamChang	DATE 2013-05-03
DWG NO. PWG-04PFFB-SC7001	CHECKED BY Rita	DATE 2013-05-03
CUSTOMER ALTW	APPROVED BY Maslow	DATE 2013-05-03