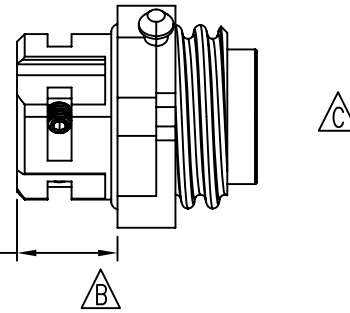
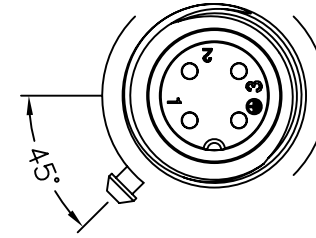
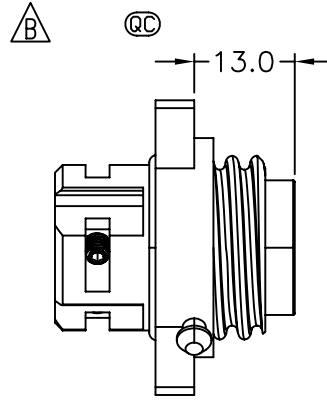
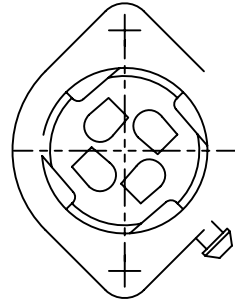
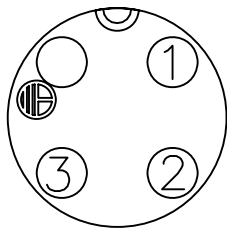


REV.	ECN NO.	DATE	SIGN	DESCRIPTION
B	LEN-050325	2010/05/18	Kevin Wang	Modify The Dimensions
C	LEN1130367	2011/03/11	Kevin Wang	Modify The Dimensions
D	LEN1180146	2011/08/27	baowei	Add Wire Size

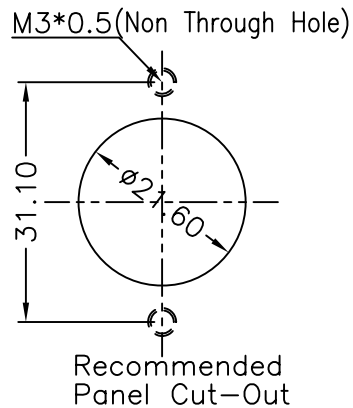


Note:

- \* @C Important Dimensions.
- \* Waterproof Rate: IP67
- \* Male Housing: Nylon+GF, Black
- \* Male Pin: Copper Alloy, Silver Plated
- \* Pin Screws: 1.5mm(HEX), Stainless Steel, For wire assembly, tightened by tool.
- \* Cond. Retainer: Copper Alloy, Silver Plated
- \* O-ring: Silicone, Gray
- \* Flame Class: UL94V-0
- ⑥ \* One Set Assembled in one PE Bag
- \* 1.5mm Hex Tool for Screws sold separately
- ⚠ \* Wire Size Range: 14AWG~18AWG



Pin Assignments  
Front View



Recommended  
Panel Cut-Out

UNIT:mm	
TOLERANCE	
.X	±0.25
.XX	±0.1
.XXX	±0.05
ANGLES	±1°

TITLE Panel Male Power Conn. 16Amp Screw in Type Pin (Silver Plated)	
SCALE Free	SHEET 1 OF 1
REV. D	SIZE A4
QC : Inspection Item	

**Amphenol LTW**  
安費諾亮泰企業股份有限公司

ITEM NO LTWPWG-04PMMB-SC7002	DRAWN BY baowei	DATE 2011/08/27
DWG NO LTWPWG-04PMMB-SC7002	CHECKED BY Micky	DATE 2011/08/27
CUSTOMER	APPROVED BY Victor	DATE 2011/08/27

DATE 2011/08/27
DATE 2011/08/27
DATE 2011/08/27

THIS DOCUMENT IS SUBJECT TO CHANGE WITHOUT NOTICE. IT IS CONFIDENTIAL AND A PROPERTY OF Amphenol LTW. DISCLOSE TO THIRD PARTY HAS TO BE AUTHORIZED BY Amphenol LTW.