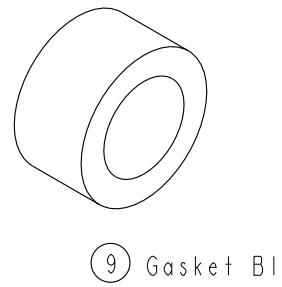
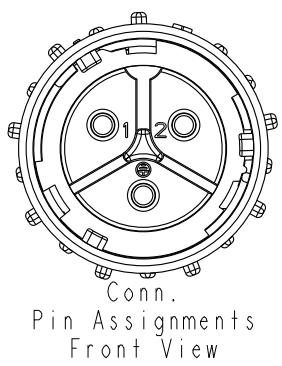
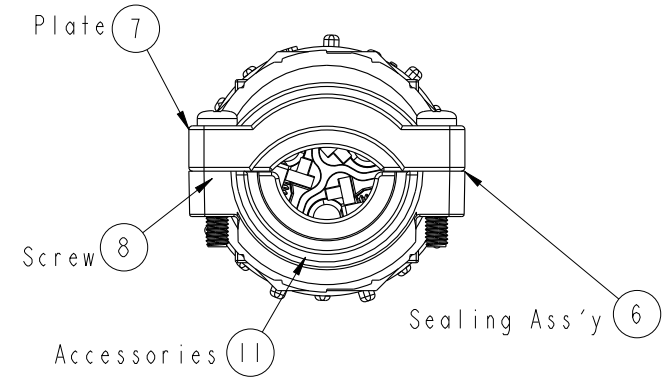
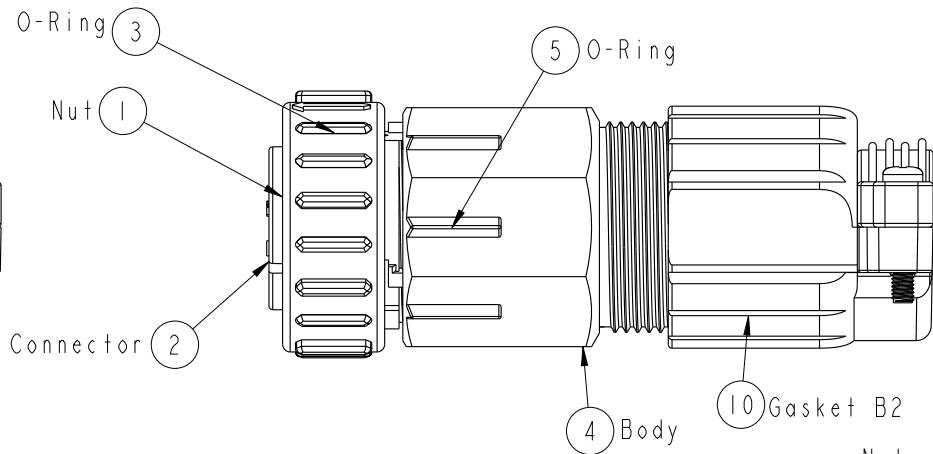
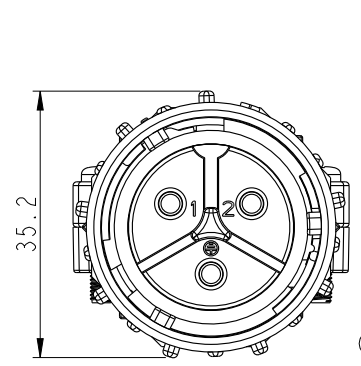
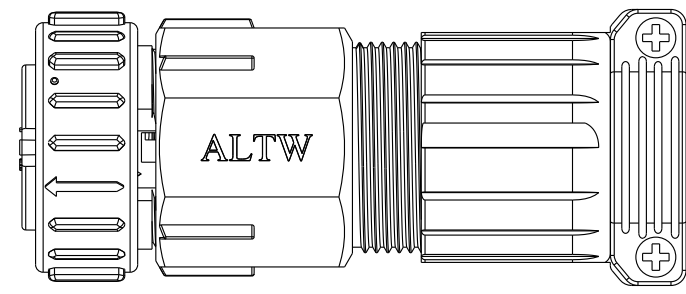


THIS DOCUMENT IS SUBJECT TO CHANGE WITHOUT NOTICE. IT IS CONFIDENTIAL AND A PROPERTY OF LTW. DISCLOSURE TO THIRD PARTY HAS TO BE AUTHORIZED BY LTW.

REV.	ECN NO.	DATE	SIGN	DESCRIPTION
A		2011-05-12	Doreen	SAM-PWR-C0814 TO NEW ITEM



Note:

- * (QC)important Dimension To Check.
- * Waterproof Rate : IP67
- * Connector: PPE , Black
- * Female Pin:Copper Alloy,Tin Plated
- * Current Rating: 30A(Max.)
- * Rated Voltage:300V
- * Recommended Gauge: 8awg~14awg
- * Lock Nut: PPE , Black
- * O-Ring & Gasket:Silicone , Gary
- * Cable OD Max: B1:∅10~∅14.5mm
B2:∅14.5~∅19mm
- * Screw of Salt Spray Test : 720 hours.
- * Accessories:PP ,Black, Use for Cable OD 10~14mm
- * One Set assembled and Gasket (B1) in one PE Bag.

UNIT:mm		
TOLERANCE	.X ±0.25	.XX ±0.1
.XXX	±0.05	
ANGLES	±1°	

TITLE POWER CONNECTOR CABLE ASS'Y			
SCALE 1:1	SIZE A4	SHEET 1 OF 1	
REV. A	WC-REV. A.1	QC: Inspection item	

Amphenol LTW
安費諾亮泰企業股份有限公司

ITEM NO. LTWPWL-03BFFA-TL7001	DRAWN BY Doreen	DATE 2011-05-12
DWG NO. LTWPWL-03BFFA-TL7001	CHECKED BY Winnie	DATE 2011-05-12
CUSTOMER	APPROVED BY Kevin	DATE 2011-05-12