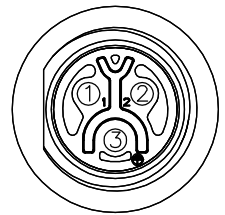
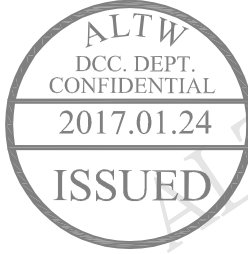
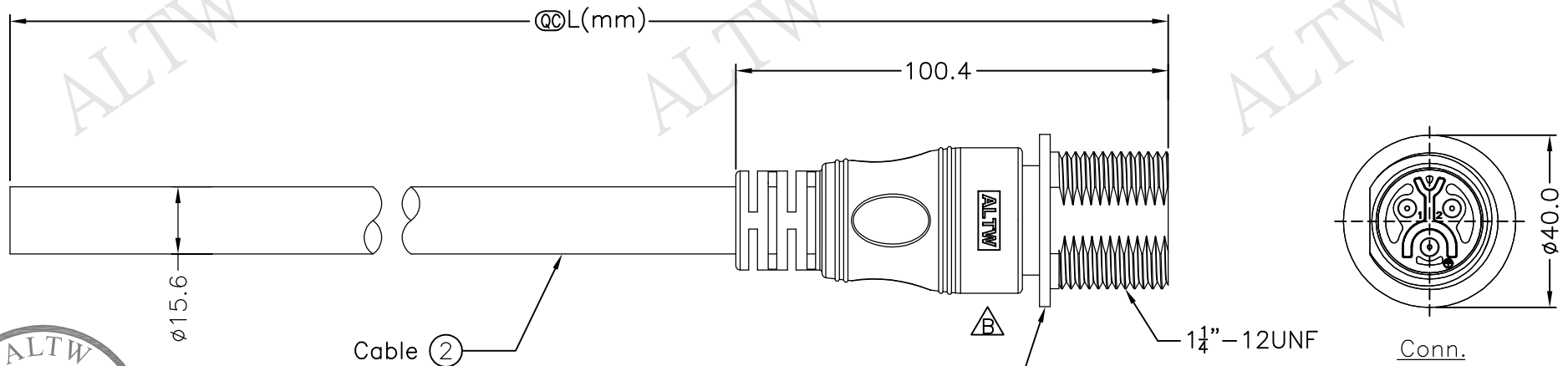


REV.	ECN NO.	DATE	SIGN	DESCRIPTION
B	LEN1710161~164	2016/01/19	Vicky	Update Logo



Pin Assignments  
Front View

3	White	白
2	Black	黑
1	Green	綠
Conn.	Wire Color	
Pin Out		

PWH-03AMMM-SL7000 ①  
Color: Black

PWH-03AMMM-SL7AXX  
 XX:01~99Meter  
 01:01Meter  
 02:02Meters  
 :  
 :  
 99:99Meters  
 Cable Length(L):01~99Meters

- Note:
- \* @C Important Dimension
  - \* Waterproof Rate: IP67
  - \* Housing: Nylon+GF, Black
  - \* Male Pin: Copper Alloy, Gold Plated
  - \* Cable: SJT 10AWG\*3C+TALC,Black, PVC Jacket UV Resistant ,OD=15.6mm
  - \* Cable Length Tolerance: 01M:±40mm  
02M~05M:±60mm  
06M~10M:±100mm  
11M~30M:±200mm  
31M~99M:±500mm

UNIT:mm	
TOLERANCE	±0.5 mm

TITLE Power, Cable Screw 3P M Conn M Pin		
SCALE Free	SHEET 1 OF 1	
REV. B	SIZE A4	QC : Inspection Item

**Amphenol LTW**  
安費諾亮泰企業股份有限公司

ITEM NO	DRAWN BY Vicky	DATE 2017/01/19
DWG NO PWH-03AMMM-SL7AXX	CHECKED BY Rita	DATE 2017/01/19
CUSTOMER ALTW	APPROVED BY Max	DATE 2017/01/19

THIS DOCUMENT IS SUBJECT TO CHANGE WITHOUT NOTICE. IT IS CONFIDENTIAL AND A PROPERTY OF Amphenol LTW. DISCLOSURE TO THIRD PARTY HAS TO BE AUTHORIZED BY Amphenol LTW.

F  
E  
D  
C  
B  
A

1 2 3 4 5 6 7 8