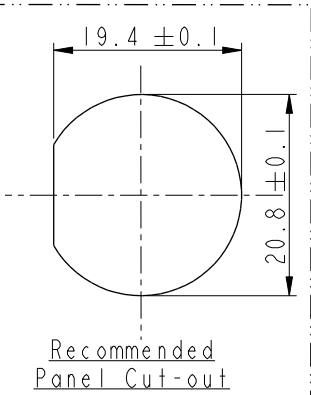
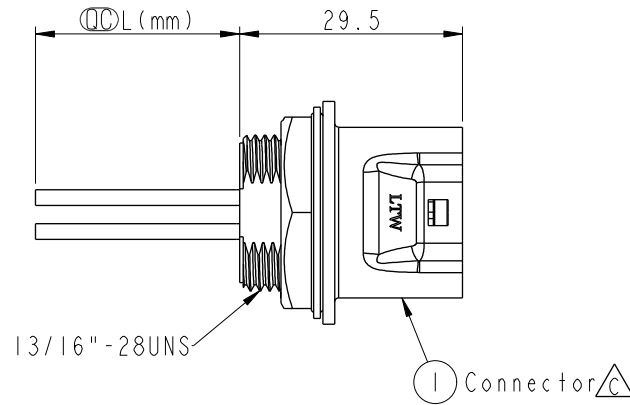
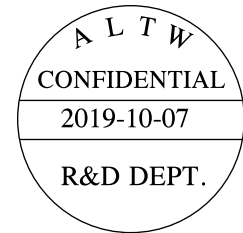
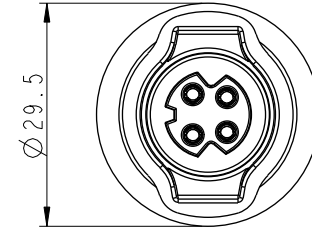
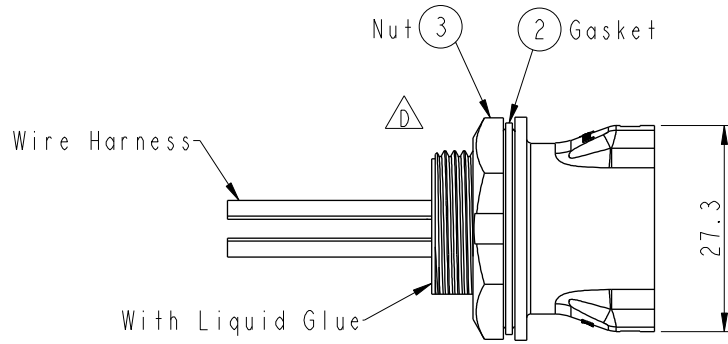
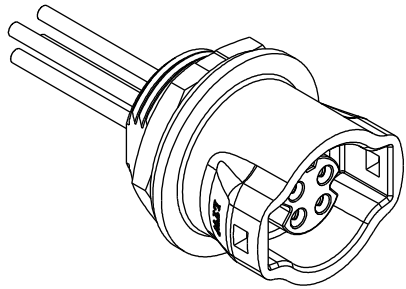


REV.	ECN NO.	DATE	SIGN	DESCRIPTION
C	LE315A0032~34	2015/09/19	Joyy	Update The Drawing
D	CI80139	2018/11/26	Mafei	Remove The Shrink Tube.
E	CI91730	2019/10/07	Vicky	Update Code & Wire Tolerance



- Note:
- * D Important Dimension To Check.
 - * Waterproof Rate: IP67
 - * Housing: M-PPE, Black.
 - * Female Pin: Copper Alloy, Gold Plated.
 - * Gasket: Silicone, Black.
 - * Screw Nut: Nylon+GF, Black.
 - * Wire Harness: UL1015 16#
 - * Panel Thickness Max: 5.0mm
 - * Recommended Nut Torque: 4~7 kgf.cm
 - * Wire harness Tolerance: 100 ± 10mm
101~300 ± 15mm
301~1000 ± 20mm
 - * Prohibiting the use of place in oils

UNIT: mm		
TOLERANCE	± 0.5mm	

TITLE MIDDLE PANEL RBL F CONN F PIN			
SCALE 1:1	SIZE A4	SHEET 1 OF 2	
REV. E	WC-REV. A.3	D : Inspection item	

Amphenol LTW
安費諾亮泰企業股份有限公司

ITEM NO	DRAWN BY Mafei	DATE 2018-11-26
DWG NO CB-XXRFFC-RC7AXX	CHECKED BY Jerry	DATE 2018-11-26
CUSTOMER ALTW	APPROVED BY Max	DATE 2018-11-26

THIS DOCUMENT IS SUBJECT TO CHANGE WITHOUT NOTICE. IT IS CONFIDENTIAL AND A PROPERTY OF Amphenol LTW. DISCLOSURE TO THIRD PARTY HAS TO BE AUTHORIZED BY Amphenol LTW.

THIS DOCUMENT IS SUBJECT TO CHANGE WITHOUT NOTICE. IT IS CONFIDENTIAL AND A PROPERTY OF AMPHENOL LTW. DISCLOSURE TO THIRD PARTY HAS TO BE AUTHORIZED BY AMPHENOL LTW.



CB-XXRFFC-RC7AXX

Middle Size Current Rating 10A

XX:No. Of Pin(Pin 數)

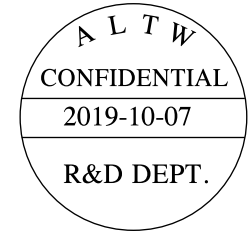
R:Panel Rear Mounting(後鎖嵌面板式)

F:Female Connector(母座)

F:Female Pin(母Pin)

C:CrimpType(夾線網裝式)

- 10 : 100mm
- 15 : 150mm
- 20 : 200mm
- △E A0 : 1000mm
- Cable Pitch Unit: 50mm
- Wire Length(L): 100~1000mm
- A: UL 1015
- 7: IP67(防水等級 67)
- C: Circular(圓座)
- R: Snap in With Latch(彈臂卡合式)



Pin Out	4	--	4	Green 綠	4	Orange 橙
	3	Red 紅	3	Red 紅	3	Red 紅
	2	--	2	--	2	Brown 棕
	1	Black 黑	1	Black 黑	1	Black 黑
Pin Assignments Front View						
	2Pin		3Pin		4Pin	

UNIT:mm		TITLE MIDDLE PANEL RBL F CONN F PIN	
TOLERANCE	$\pm 0.5mm$	SCALE 1:1	SIZE A4
		SHEET 2	OF 2
REV. E	WC-REV. A.3	QC: Inspection item	

Amphenol LTW
安費諾亮泰企業股份有限公司

ITEM NO	DRAWN BY Mafei	DATE 2018-11-26
DWG NO CB-XXRFFC-RC7AXX	CHECKED BY Jerry	DATE 2018-11-26
CUSTOMER ALTW	APPROVED BY Max	DATE 2018-11-26