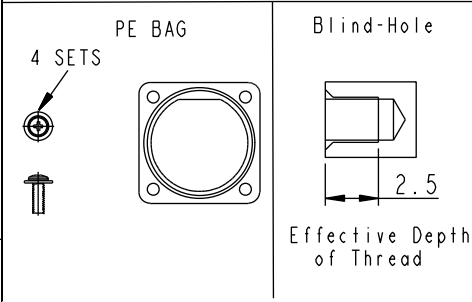
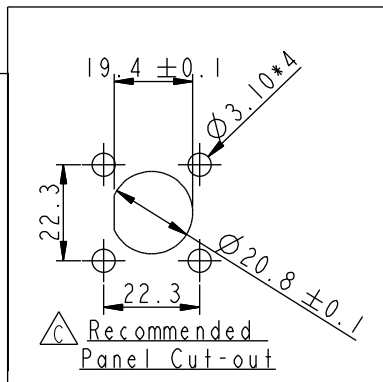
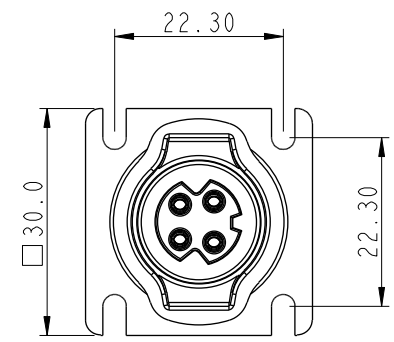
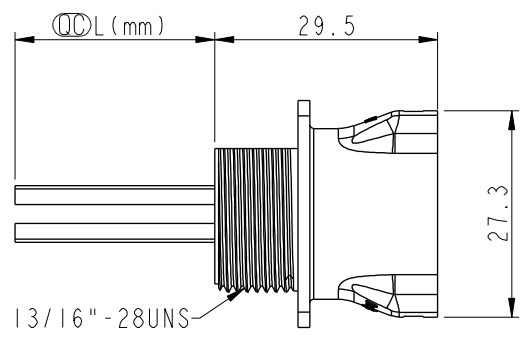
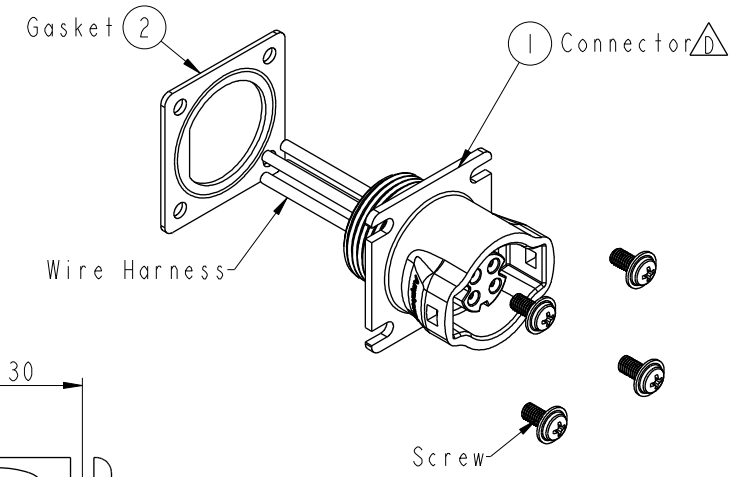
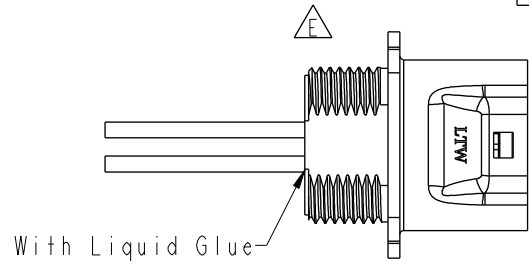
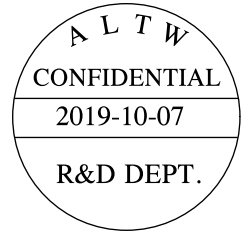


THIS DOCUMENT IS SUBJECT TO CHANGE WITHOUT NOTICE. IT IS CONFIDENTIAL AND A PROPERTY OF AMPHENOL LTW. DISCLOSURE TO THIRD PARTY HAS TO BE AUTHORIZED BY AMPHENOL LTW.

| REV. | ECN NO. | DATE | SIGN | DESCRIPTION |
|------|---------------|------------|-------|------------------------------|
| D | LE315A0035~37 | 2015/09/19 | Joyy | Update The Drawing |
| E | CI80139 | 2018/11/27 | Mafei | Remove The Shrink Tube. |
| F | CI91730 | 2019/10/07 | Vicky | Update Code & Wire Tolerance |



Note:

- * \varnothing Important Dimension To Check.
- * Waterproof Rate: IP67
- * Housing: M-PPE, Black.
- * Female Pin: Copper Alloy, Gold Plated.
- * Gasket: Silicone, Gray.
- * Wire Harness: UL1015 16#
- * Blind holes for the screws used M3X0.5mm
- * Blind Hole Size M3X0.5mm
- * Screw Torque: 1.5~2kgf.cm
- * Wire harness Tolerance: 100 ± 10mm
101~300 ± 15mm
301~1000 ± 20mm

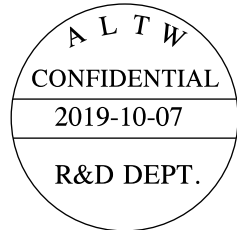
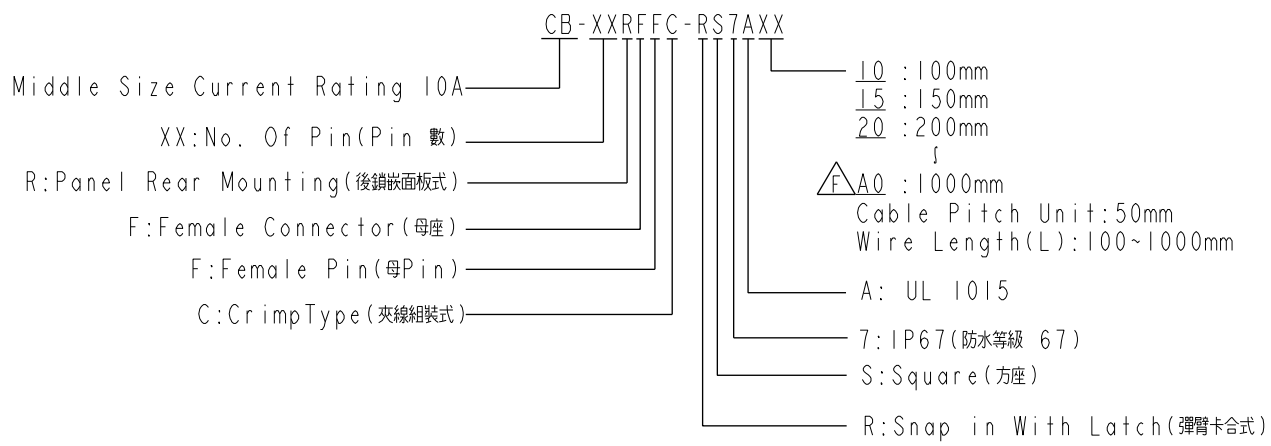
* Prohibiting the use of place in oils

| | | | | | |
|-----------|--------|---------|-------------------------------|---------------|-----------------|
| UNIT:mm | | TITLE | MIDDLE PANEL RBL F CONN F PIN | | |
| TOLERANCE | ±0.5mm | SCALE | 1:1 | SIZE | A4 |
| | | SHEET | 1 | OF | 2 |
| REV. | F | WC-REV. | A.14 | \varnothing | Inspection item |

Amphenol LTW
安費諾亮泰企業股份有限公司

| | | |
|------------------|-------------|------------|
| ITEM NO | DRAWN BY | DATE |
| | Mafei | 2018-11-27 |
| DWG NO | CHECKED BY | DATE |
| CB-XXRFFC-RSTAXX | Jerry | 2018-11-27 |
| CUSTOMER | APPROVED BY | DATE |
| ALTW | Max | 2018-11-27 |

THIS DOCUMENT IS SUBJECT TO CHANGE WITHOUT NOTICE. IT IS CONFIDENTIAL AND A PROPERTY OF AMPHENOL LTW. DISCLOSURE TO THIRD PARTY HAS TO BE AUTHORIZED BY AMPHENOL LTW.



| | | | | | | |
|----------------------------|---|---------|---|---------|---|----------|
| Pin Out | 4 | -- | 4 | Green 綠 | 4 | Orange 橙 |
| | 3 | Red 紅 | 3 | Red 紅 | 3 | Red 紅 |
| | 2 | -- | 2 | -- | 2 | Brown 棕 |
| | 1 | Black 黑 | 1 | Black 黑 | 1 | Black 黑 |
| Pin Assignments Front View | <p style="text-align: center;">2Pin</p> | | <p style="text-align: center;">3Pin</p> | | <p style="text-align: center;">4Pin</p> | |

| | | | | | | | | |
|---------------------------------|--------------|-----------------|---|----------------------------|---|---------------------|--------------------|------|
| UNIT: mm TOLERANCE ±0.5mm | | | TITLE MIDDLE PANEL RBL F CONN F PIN | | Amphenol LTW 安費諾亮泰企業股份有限公司 | ITEM NO | DRAWN BY | DATE |
| | SCALE 1:1 | SIZE A4 | SHEET 2 OF 2 | DWG NO CB-XXRFFC-RS7AXX | | CHECKED BY Jerry | DATE 2018-11-27 | |
| | REV. F | WC-REV. A.14 | QC: Inspection item | CUSTOMER ALTW | | APPROVED BY Max | DATE 2018-11-27 | |