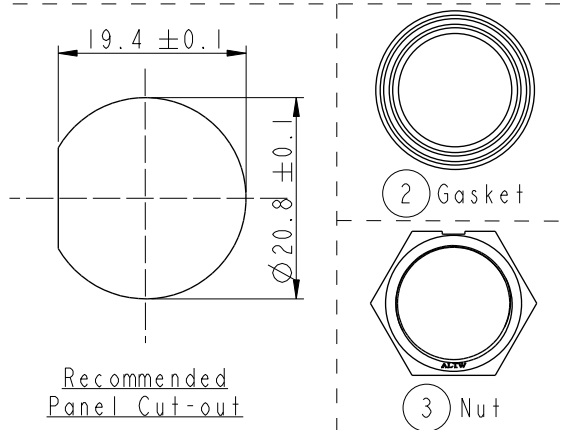
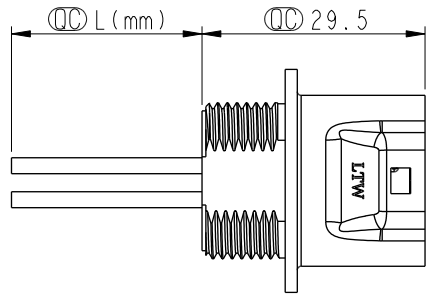
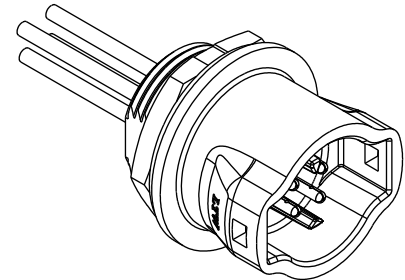
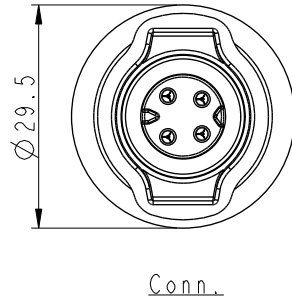
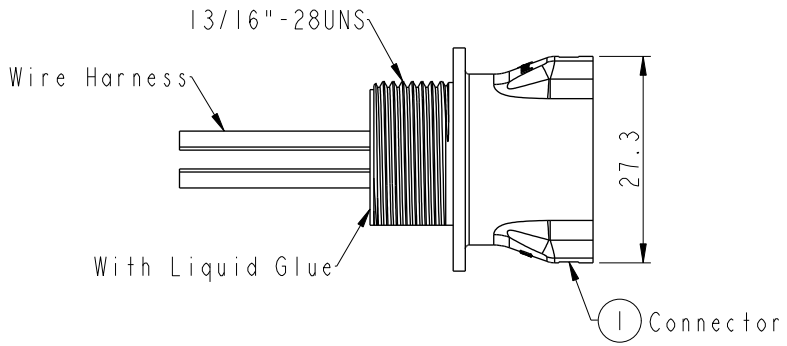


REV.	ECN NO.	DATE	SIGN	DESCRIPTION
A		2020/05/12	Vicky	Initial Released



- Note:
- * \varnothing Important Dimension
 - * Waterproof Rate: IP68, Unmated
IP68: 1M Depth of water in 24 hours
 - * Connector: Thermoplastic, Black
 - * Male Pin: Copper Alloy, Gold Plated
 - * Gasket: Rubber, Black
 - * Screw Nut: Thermoplastic, Black
 - * Wire Harness: UL1015, 16AWG
 - * Panel Thickness Max: 5.0mm
 - * Wire harness Tolerance: 100mm ± 10mm
101~300mm ± 15mm
301~1000mm ± 20mm
 - * Prohibiting the use of place in oils
 - * The nut and gasket are packed separately

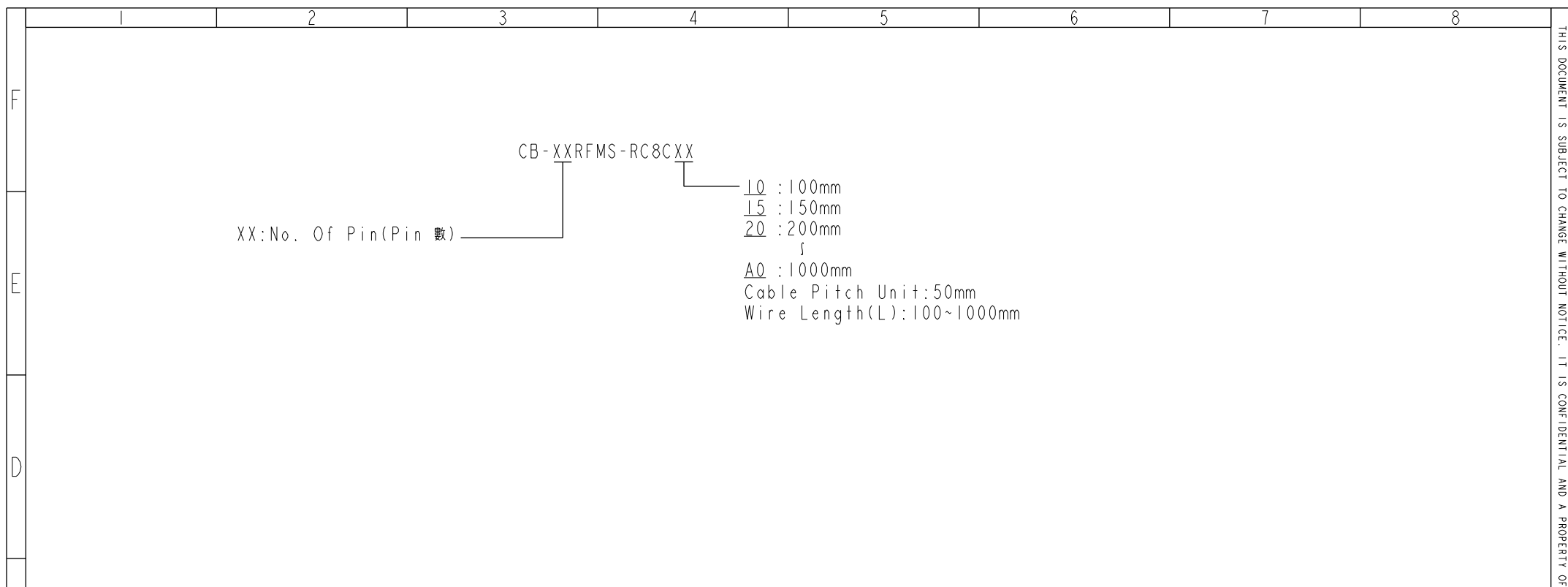
UNIT: mm		TITLE	RBL, C-10A, REAR FASTENED F, M, SOLDER, RBL	
TOLERANCE	± 0.5mm	SCALE	1:1	SIZE A4
		REV.	A	WC-REV. A.1
				\varnothing : Inspection item
		SHEET	1	OF 2

Amphenol LTW
安費諾亮泰企業股份有限公司

ITEM NO.	DRAWN BY	DATE
	Vicky	2020-05-12
DWG NO.	CHECKED BY	DATE
CB-XXRFMS-RC8CXX	Rita	2020-05-12
CUSTOMER	APPROVED BY	DATE
ALTW	Max	2020-05-12

THIS DOCUMENT IS SUBJECT TO CHANGE WITHOUT NOTICE. IT IS CONFIDENTIAL AND A PROPERTY OF Amphenol LTW. DISCLOSURE TO THIRD PARTY HAS TO BE AUTHORIZED BY Amphenol LTW.

THIS DOCUMENT IS SUBJECT TO CHANGE WITHOUT NOTICE. IT IS CONFIDENTIAL AND A PROPERTY OF Amphenol LTW. DISCLOSURE TO THIRD PARTY HAS TO BE AUTHORIZED BY Amphenol LTW.



Pin Out	4	--	4	Brown 棕	4	Brown 棕
	3	Red 紅	3	Red 紅	3	Red 紅
	2	--	2	--	2	Orange 橙
	1	Black 黑	1	Black 黑	1	Black 黑
Pin Assignments Front View						
	2Pin		3Pin		4Pin	

UNIT:mm TOLERANCE ±0.5mm			TITLE RBL, C-10A, REAR FASTENED F, M, SOLDER, RBL		Amphenol LTW 安費諾亮泰企業股份有限公司		ITEM NO	DRAWN BY	DATE
	SCALE 1:1	SIZE A4	SHEET 2 OF 2		DWG NO	CHECKED BY	DATE	Vicky	2020-05-12
	REV. A	WC-REV. A.1	Inspection item		CUSTOMER	APPROVED BY	DATE	Rita	2020-05-12
					ALTW	Max	2020-05-12		