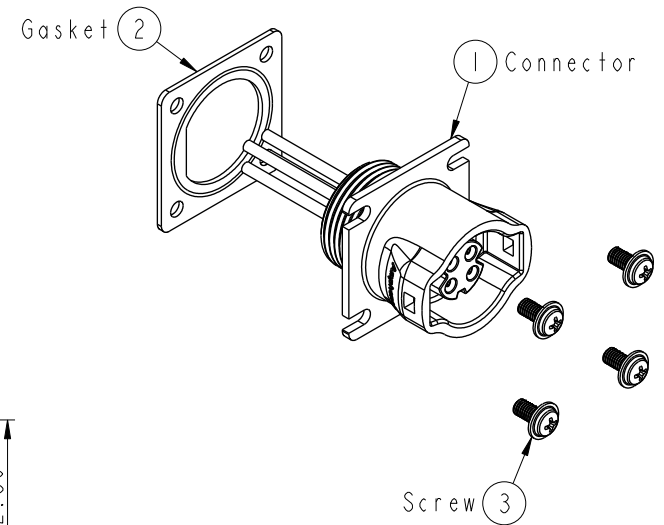
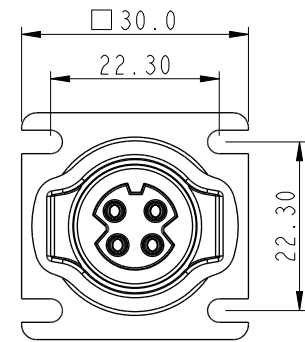
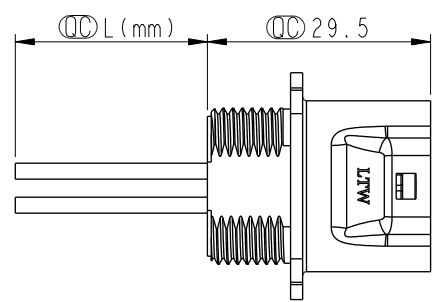
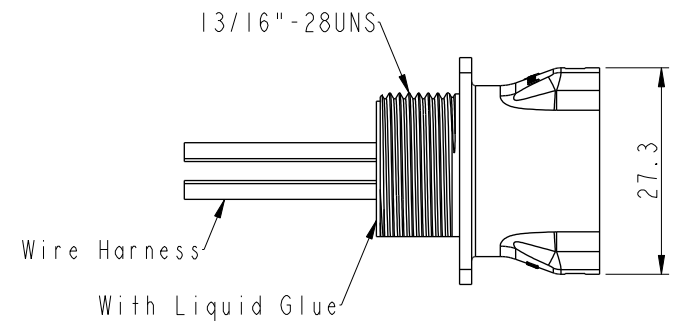
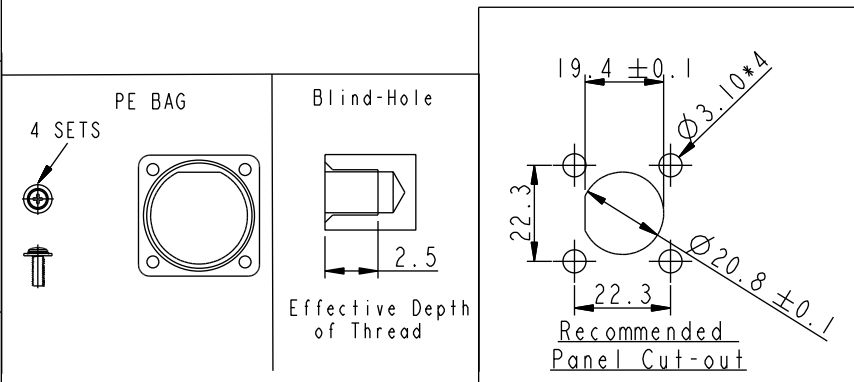


THIS DOCUMENT IS SUBJECT TO CHANGE WITHOUT NOTICE. IT IS CONFIDENTIAL AND A PROPERTY OF Amphenol LTW. DISCLOSURE TO THIRD PARTY HAS TO BE AUTHORIZED BY Amphenol LTW.

REV.	ECN NO.	DATE	SIGN	DESCRIPTION
A		2020/05/12	Vicky	Initial Released



- Note:
- * \varnothing Important Dimension To Check.
 - * Waterproof Rate: IP68, Unmated
 - * IP68: 1M Depth of water in 24 hours
 - * Connector: Thermoplastic, Black
 - * Female Pin: Copper Alloy, Gold Plated.
 - * Gasket: Rubber, Gray.
 - * Wire Harness: UL1015, 16AWG
 - * Blind holes for the screws used M3X0.5mm
 - * Blind Hole Size M3X0.5mm
 - * Wire harness Tolerance: 100mm \pm 10mm
101~300mm \pm 15mm
301~1000mm \pm 20mm
 - * Prohibiting the use of place in oils



UNIT:mm	\varnothing	TITLE	RBL, C-10A, REAR FASTENED F, F, SOLDER, RBL	
TOLERANCE	$\pm 0.5mm$	SCALE	1:1	SHEET 1 OF 2
		REV.	A	WC-REV. A.1
			\varnothing : Inspection item	

Amphenol LTW
安費諾亮泰企業股份有限公司

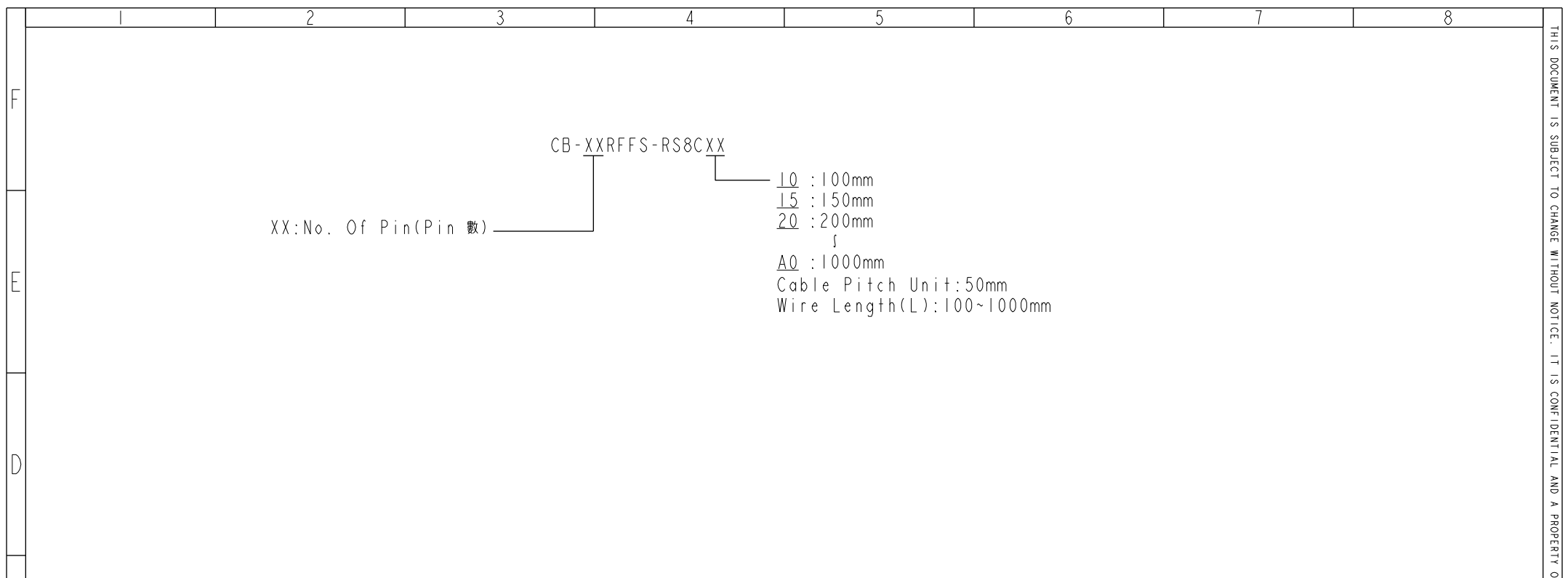
ITEM NO	DRAWN BY	DATE
	Vicky	2020-05-12
DWG NO	CHECKED BY	DATE
CB-XXRFFS-RS8CXX	Rita	2020-05-12
CUSTOMER	APPROVED BY	DATE
ALTW	Max	2020-05-12

THIS DOCUMENT IS SUBJECT TO CHANGE WITHOUT NOTICE. IT IS CONFIDENTIAL AND A PROPERTY OF Amphenol LTW. DISCLOSURE TO THIRD PARTY HAS TO BE AUTHORIZED BY Amphenol LTW.

CB-XXRFFS-RS8CXX

XX:No. Of Pin(Pin 數)

- 10 :100mm
- 15 :150mm
- 20 :200mm
- ↓
- A0 :1000mm
- Cable Pitch Unit:50mm
- Wire Length(L):100~1000mm



Pin Out	4	--	4	Brown 棕	4	Brown 棕
	3	Red 紅	3	Red 紅	3	Red 紅
	2	--	2	--	2	Orange 橙
	1	Black 黑	1	Black 黑	1	Black 黑
Pin Assignments Front View						
	2Pin		3Pin		4Pin	

UNIT:mm TOLERANCE ±0.5mm	TITLE RBL, C-10A, REAR FASTENED F, F, SOLDER, RBL		Amphenol LTW 安費諾亮泰企業股份有限公司		ITEM NO	DRAWN BY Vicky	DATE 2020-05-12
	SCALE 1:1	SIZE A4			SHEET 2 OF 2	DWG NO CB-XXRFFS-RS8CXX	CHECKED BY Rita
	REV. A	WC-REV. A.1	QC: Inspection item		CUSTOMER ALTW	APPROVED BY Max	DATE 2020-05-12