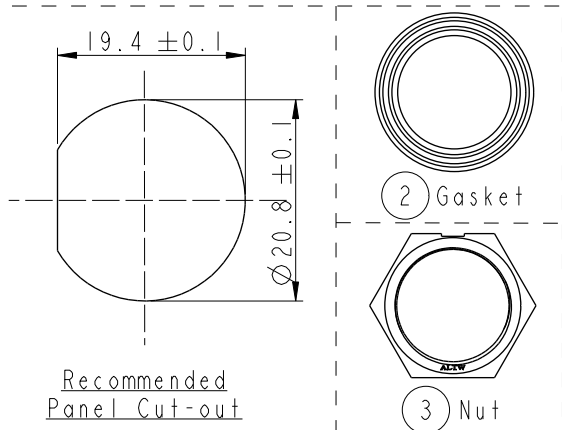
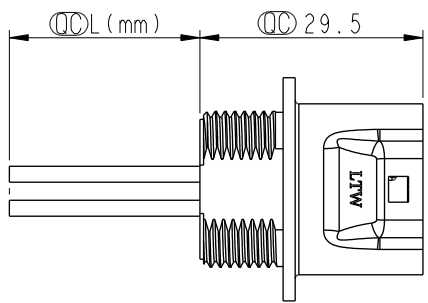
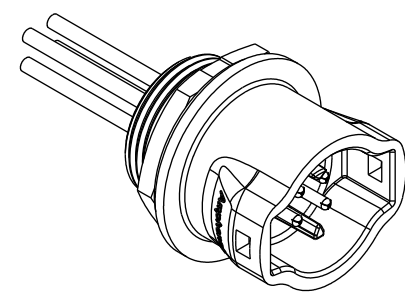
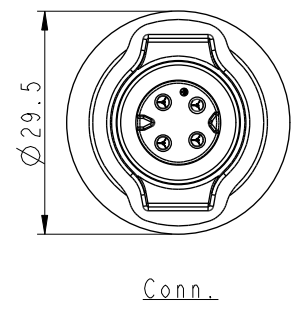
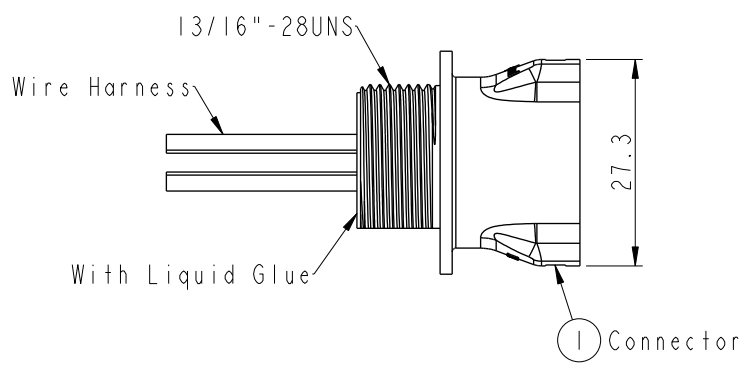


THIS DOCUMENT IS SUBJECT TO CHANGE WITHOUT NOTICE. IT IS CONFIDENTIAL AND A PROPERTY OF Amphenol LTW. DISCLOSURE TO THIRD PARTY HAS TO BE AUTHORIZED BY Amphenol LTW.

REV.	ECN NO.	DATE	SIGN	DESCRIPTION
A		2020/05/12	Vicky	Initial Released



- Note:
- * ϕ Important Dimension
 - * Waterproof Rate: IP68, Unmated
IP68: 1M Depth of water in 24 hours
 - * Connector: Thermoplastic, Black
 - * Male Pin: Copper Alloy, Gold Plated
 - * Gasket: Rubber, Black
 - * Screw Nut: Thermoplastic, Black
 - * Wire Harness: UL1015, 16AWG
 - * Panel Thickness Max: 5.0mm
 - * Wire harness Tolerance: 100mm \pm 10mm
101~300mm \pm 15mm
301~1000mm \pm 20mm
 - * Prohibiting the use of place in oils
 - * The nut and gasket are packed separately

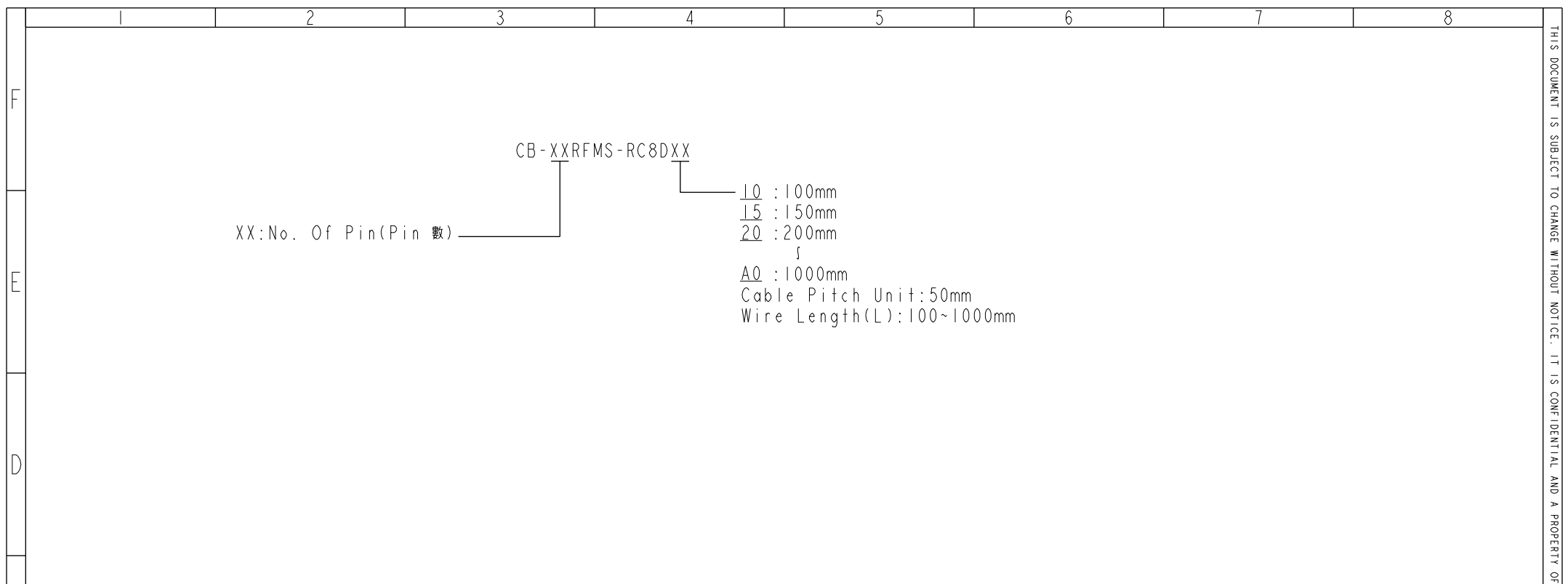
UNIT: mm TOLERANCE $\pm 0.5mm$	TITLE RBL, C-10A, REAR FASTENED F, M, SOLDER, RBL		Amphenol LTW 安費諾亮泰企業股份有限公司		ITEM NO.	DRAWN BY Vicky	DATE 2020-05-12
	SCALE 1:1	SIZE A4			SHEET 1 OF 2	DWG NO. CB-XXRFMS-RC8DXX	CHECKED BY Rita
	REV. A	WC-REV. A.1	ϕ : Inspection item	CUSTOMER ALTW	APPROVED BY Max	DATE 2020-05-12	

THIS DOCUMENT IS SUBJECT TO CHANGE WITHOUT NOTICE. IT IS CONFIDENTIAL AND A PROPERTY OF Amphenol LTW. DISCLOSURE TO THIRD PARTY HAS TO BE AUTHORIZED BY Amphenol LTW.

CB-XXRFMS-RC8DXX

XX:No. Of Pin(Pin 數)

10 : 100mm
15 : 150mm
20 : 200mm
 }
A0 : 1000mm
 Cable Pitch Unit: 50mm
 Wire Length(L): 100~1000mm



Pin Out	4 -- 3 White 白 2 -- 1 Black 黑	4 Green 綠 3 White 白 2 -- 1 Black 黑	4 Green 綠 3 White 白 2 Red 紅 1 Black 黑
Pin Assignments Front View	 2Pin	 3Pin	 4Pin

UNIT:mm TOLERANCE ±0.5mm	TITLE RBL, C-10A, REAR FASTENED F, M, SOLDER, RBL		<h1>Amphenol LTW</h1> <p>安費諾亮泰企業股份有限公司</p>	ITEM NO	DRAWN BY Vicky	DATE 2020-05-12	
	SCALE 1:1	SIZE A4		SHEET 2 OF 2	DWG NO CB-XXRFMS-RC8DXX	CHECKED BY Rita	DATE 2020-05-12
	REV. A	WC-REV. A.1		QC: Inspection item	CUSTOMER ALTW	APPROVED BY Max	DATE 2020-05-12