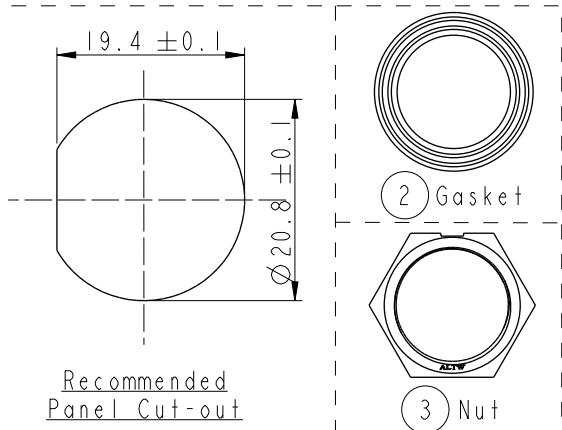
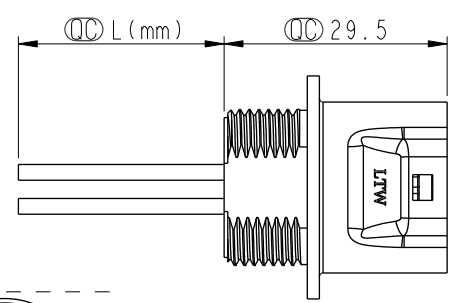
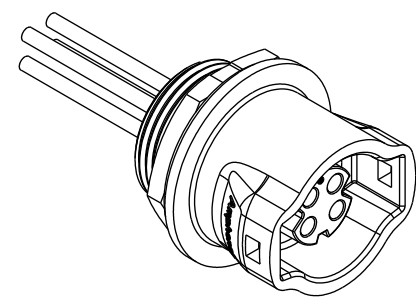
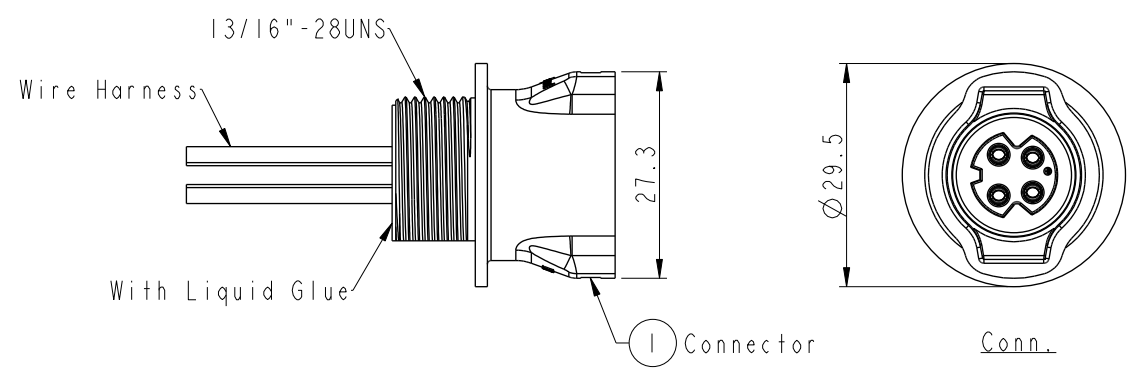


THIS DOCUMENT IS SUBJECT TO CHANGE WITHOUT NOTICE. IT IS CONFIDENTIAL AND A PROPERTY OF Amphenol LTW. DISCLOSURE TO THIRD PARTY HAS TO BE AUTHORIZED BY Amphenol LTW.

REV.	ECN NO.	DATE	SIGN	DESCRIPTION
A		2020/05/12	Vicky	Initial Released



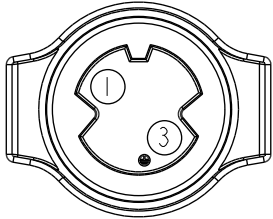
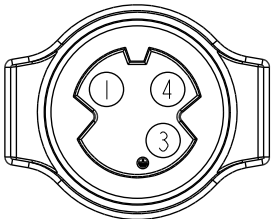
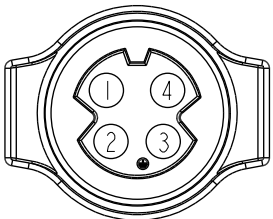
- Note:
- \*  $\varnothing$  Important Dimension
  - \* Waterproof Rate: IP68, Unmated
  - \* IP68: 1M Depth of water in 24 hours
  - \* Connector: Thermoplastic, Black
  - \* Female Pin: Copper Alloy, Gold Plated
  - \* Gasket: Rubber, Black
  - \* Screw Nut: Thermoplastic, Black
  - \* Wire Harness: UL1015, 16AWG
  - \* Panel Thickness Max: 5.0mm
  - \* Wire harness Tolerance: 100mm ± 10mm  
101~300mm ± 15mm  
301~1000mm ± 20mm
  - \* Prohibiting the use of place in oils
  - \* The nut and gasket are packed separately

UNIT: mm TOLERANCE ± 0.5mm	TITLE RBL, C-10A, REAR FASTENED F, F, SOLDER, RBL		Amphenol LTW 安費諾亮泰企業股份有限公司		ITEM NO	DRAWN BY Vicky	DATE 2020-05-12
	SCALE 1:1	SIZE A4			SHEET 1 OF 2	DWG NO CB-XXRFFS-RC8DX	CHECKED BY Rita
	REV. A	WC-REV. A.1	$\varnothing$ : Inspection item	CUSTOMER ALTW	APPROVED BY Max	DATE 2020-05-12	

CB-XXRFFS-RC8DXX

XX:No. Of Pin(Pin 數)

- 10 : 100mm
- 15 : 150mm
- 20 : 200mm
- ↓
- A0 : 1000mm
- Cable Pitch Unit: 50mm
- Wire Length(L): 100~1000mm

Pin Out	4 -- 3 White 白 2 -- 1 Black 黑	4 Green 綠 3 White 白 2 -- 1 Black 黑	4 Green 綠 3 White 白 2 Red 紅 1 Black 黑
Pin Assignments Front View	 2Pin	 3Pin	 4Pin

UNIT:mm TOLERANCE ±0.5mm	TITLE RBL, C-10A, REAR FASTENED F, F, SOLDER, RBL		Amphenol LTW 安費諾亮泰企業股份有限公司	ITEM NO	DRAWN BY Vicky	DATE 2020-05-12	
	SCALE 1:1	SIZE A4		SHEET 2 OF 2	DWG NO CB-XXRFFS-RC8DXX	CHECKED BY Rita	DATE 2020-05-12
	REV. A	WC-REV. A.1		☉: Inspection item	CUSTOMER ALTW	APPROVED BY Max	DATE 2020-05-12