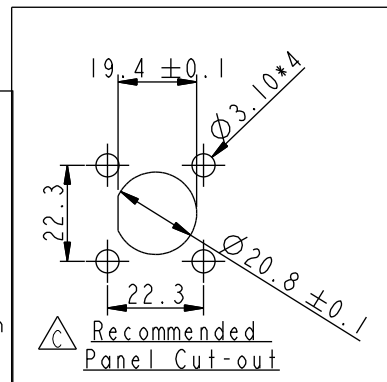
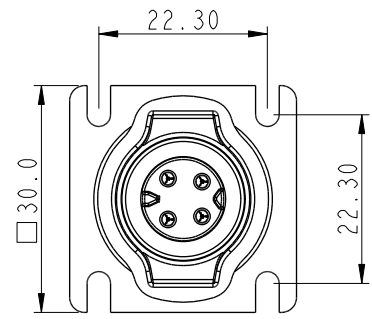
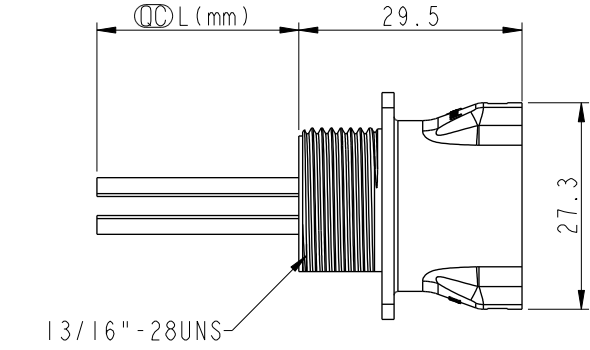
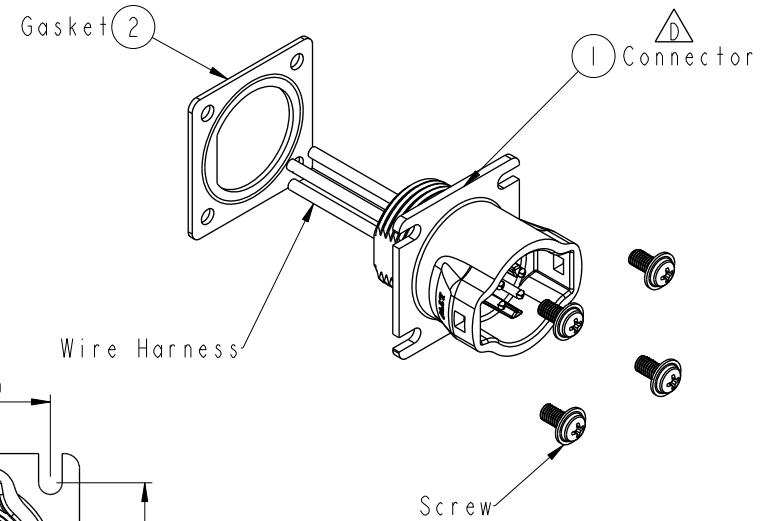
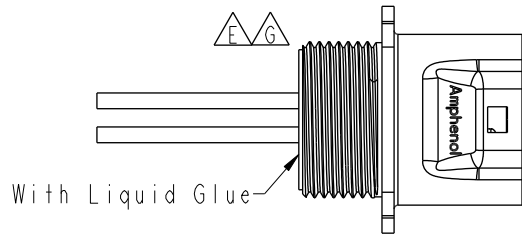


THIS DOCUMENT IS SUBJECT TO CHANGE WITHOUT NOTICE. IT IS CONFIDENTIAL AND A PROPERTY OF Amphenol LTW. DISCLOSURE TO THIRD PARTY HAS TO BE AUTHORIZED BY Amphenol LTW.

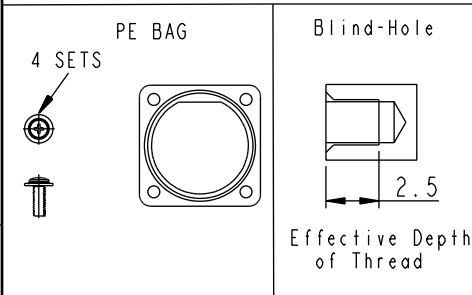
REV.	ECN NO.	DATE	SIGN	DESCRIPTION
E	C180139	2018/11/27	Mafei	Remove The Shrink Tube.
F	C191730	2019/10/07	Vicky	Update Code & Wire Tolerance
G	C200462	2020/04/13	Ruru	△G XI

ALTW
 CONFIDENTIAL
 2020-04-13
 R&D DEPT.



Note:

- * \varnothing Important Dimension To Check.
- * Waterproof Rate: IP67
- * Housing: M-PPE, Black.
- * Male Pin: Copper Alloy, Gold Plated.
- * Gasket: Silicone, Gray.
- * Wire Harness: UL1015 16#
- * Blind holes for the screws used M3X0.5mm
- * Blind Hole Size M3X0.5mm
- * Screw Torque: 1.5~2kgf.cm
- * Wire harness Tolerance: 100 ± 10mm
101~300 ± 15mm
301~1000 ± 20mm
- * Prohibiting the use of place in oils

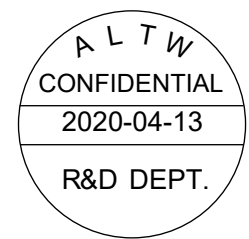


UNIT: mm	\varnothing	TITLE	MIDDLE PANEL RBL F CONN M PIN	
TOLERANCE	$\pm 0.5mm$	SCALE	1:1	SIZE A4
		REV.	F	WC-REV. A.8
				SHEET 1 OF 2
				QC: Inspection item

Amphenol LTW
 安費諾亮泰企業股份有限公司

ITEM NO.	DRAWN BY	DATE
	Mafei	2018-11-27
DWG NO.	CHECKED BY	DATE
CB-XXRFMC-RSTAXX	Jerry	2018-11-27
CUSTOMER	APPROVED BY	DATE
ALTW	Max	2018-11-27

THIS DOCUMENT IS SUBJECT TO CHANGE WITHOUT NOTICE. IT IS CONFIDENTIAL AND A PROPERTY OF Amphenol LTW. DISCLOSURE TO THIRD PARTY HAS TO BE AUTHORIZED BY Amphenol LTW.



CB-XXRFMC-RS7AXX

Middle Size Current Rating 10A
 XX: No. Of Pin (Pin 數)
 R: Panel Rear Mounting (後鑲嵌面板式)
 F: Female Connector (母座)
 M: Male Pin (公Pin)
 C: Crimp Type (夾線組裝式)

10 : 100mm
 15 : 150mm
 20 : 200mm
 A0 : 1000mm
 Cable Pitch Unit: 50mm
 Wire Length (L): 100~1000mm
 A: UL 1015
 7: IP67 (防水等級 67)
 S: Square (方座)
 R: Snap in With Latch (彈臂卡合式)

Pin Out	4	--	4	Green 綠	4	Orange 橙
	3	Red 紅	3	Red 紅	3	Red 紅
	2	--	2	--	2	Brown 棕
	1	Black 黑	1	Black 黑	1	Black 黑
Pin Assignments Front View						
	2Pin		3Pin		4Pin	

UNIT: mm TOLERANCE ±0.5mm	TITLE MIDDLE PANEL RBL F CONN M PIN		Amphenol LTW 安費諾亮泰企業股份有限公司		ITEM NO	DRAWN BY Mafei	DATE 2018-11-27
	SCALE 1:1	SIZE A4			SHEET 2 OF 2	DWG NO CB-XXRFMC-RS7AXX	CHECKED BY Jerry
	REV. F	WC-REV. A.8	QC: Inspection item	CUSTOMER ALTW	APPROVED BY Max	DATE 2018-11-27	