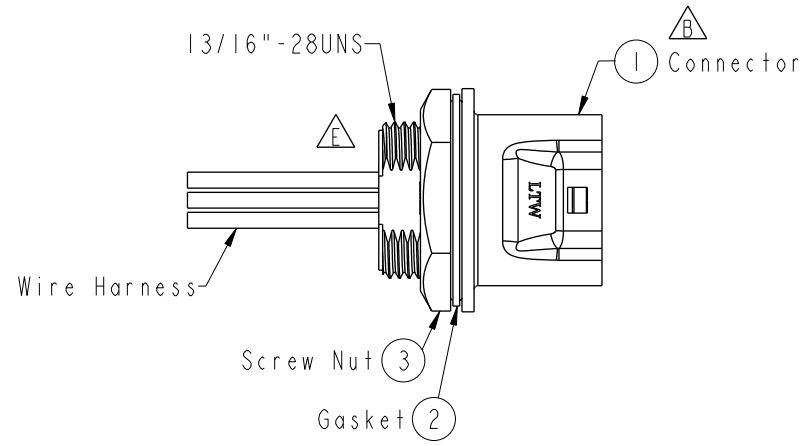
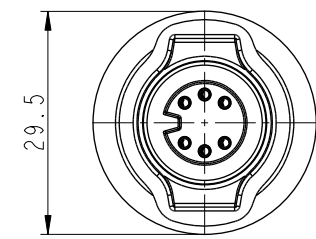
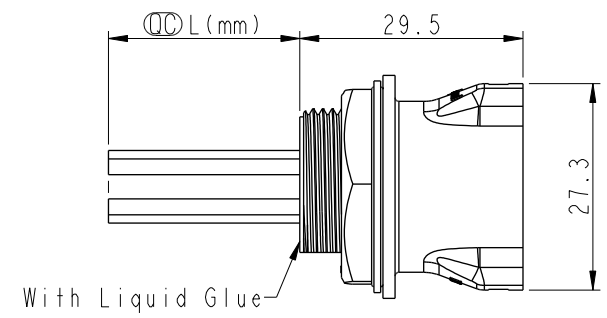
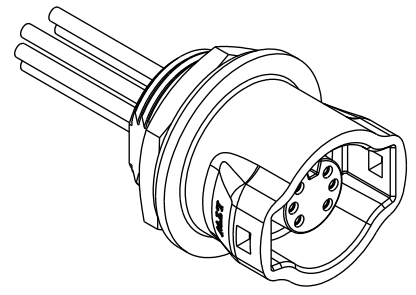
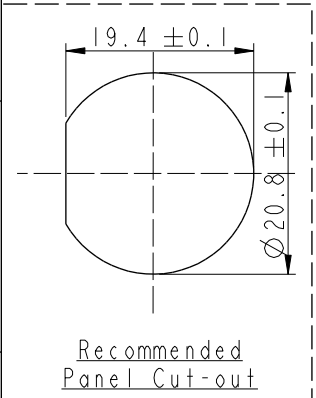


THIS DOCUMENT IS SUBJECT TO CHANGE WITHOUT NOTICE. IT IS CONFIDENTIAL AND A PROPERTY OF AMPHENOL LTW. DISCLOSURE TO THIRD PARTY HAS TO BE AUTHORIZED BY AMPHENOL LTW.

REV.	ECN NO.	DATE	SIGN	DESCRIPTION
C	LEN15B0321~325	2015/11/10	Joyy	Add 7-8 And 9 Pin To The Common Drawing
D	C191730	2019/10/08	Vicky	Update Code & Wire Tolerance
E	C220377	2022/03/07	Ruru	△E X5



- △E Note:
- * ∅ Important Dimension
 - * Waterproof Rate: IP67
 - * Housing: Thermoplastic, Black
 - * Female Pin: Copper Alloy, Gold Plated
 - * Gasket: Rubber, Black.
 - * Screw Nut: Thermoplastic, Black
 - * Wire Harness: ULI430 20#
 - * Panel Thickness Max: 5.0mm
 - * Recommended Nut Torque: 4~7 kgf.cm
 - * Wire harness Tolerance: 100 ±10mm
101~300 ±15mm
301~1000 ±20mm
- * Prohibiting the use of place in oils



UNIT:mm		
TOLERANCE	±0.5mm	

TITLE RBL, C-5A, REAR FASTENED F, F, CRIMP, RBL			
SCALE 1:1	SIZE A4	SHEET 1 OF 2	
REV. E	WC-REV. A.2	∅∅: Inspection item	

Amphenol LTW
安費諾亮泰企業股份有限公司

ITEM NO	DRAWN BY Joyy	DATE 2015-11-10
DWG NO CD-XXRFFC-RC7BXX	CHECKED BY Lu Di	DATE 2015-11-10
CUSTOMER ALTW	APPROVED BY Jerry	DATE 2015-11-10

THIS DOCUMENT IS SUBJECT TO CHANGE WITHOUT NOTICE. IT IS CONFIDENTIAL AND A PROPERTY OF Amphenol LTW. DISCLOSURE TO THIRD PARTY HAS TO BE AUTHORIZED BY Amphenol LTW.

1 2 3 4 5 6 7 8

F

E

D

C

B

A

△E
CD-XXRFFC-RC7BXX

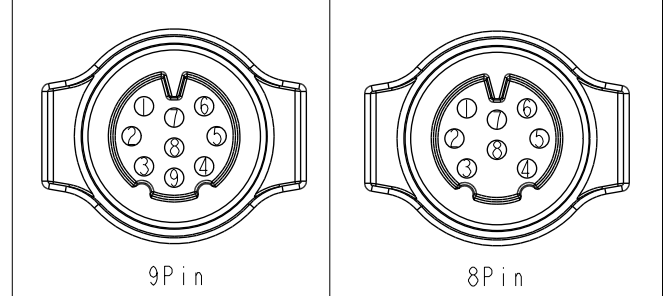
XX:No. Of Pin(Pin 數)

△D A0 :1000mm

10 :100mm
15 :150mm
20 :200mm

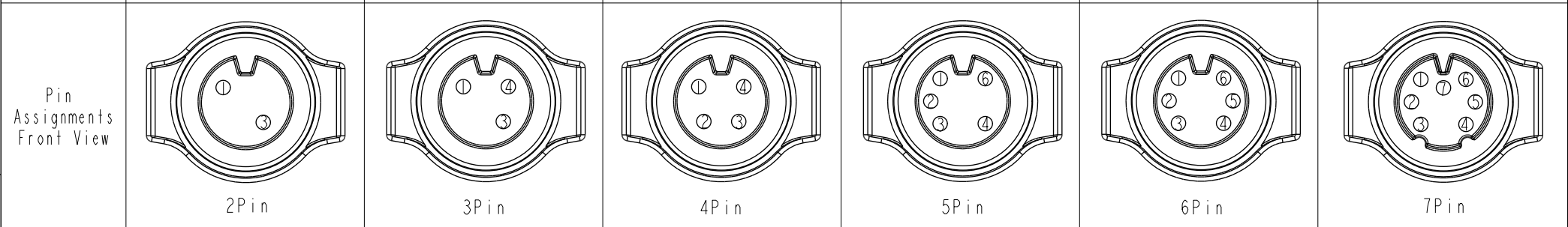
Cable Pitch Unit:50mm
Wire Length(L):100~1000mm

9	White 白	9	--
8	Purple 紫	8	Purple 紫
7	Red 紅	7	Red 紅
6	Green 綠	6	Green 綠
5	Yellow 黃	5	Yellow 黃
4	Blue 藍	4	Blue 藍
3	Orange 橘	3	Orange 橘
2	Brown 棕	2	Brown 棕
1	Black 黑	1	Black 黑



△C

Pin Out	4	--	4	Blue 藍	4	Blue 藍	6	Green 綠	6	Grey 灰	9	--
	3	White 白	3	White 白	3	White 白	5	--	5	Yellow 黃	8	--
	2	--	2	--	2	Brown 棕	4	Black 黑	4	Green 綠	7	Red 紅
	1	Black 黑	1	Black 黑	1	Black 黑	3	Blue 藍	3	White 白	6	Green 綠
							2	White 藍白	2	Blue 藍	5	Yellow 黃
							1	Brown 棕	1	Brown 棕	4	Blue 藍
											3	Orange 橘
											2	Brown 棕
											1	Black 黑



UNIT:mm		TITLE
TOLERANCE	±0.5mm	RBL, C-5A, REAR FASTENED F, F, CRIMP, RBL
SCALE	1:1	SIZE A4
REV.	E	SHEET 2 OF 2
		WC-REV. A.2
		QC: Inspection item

Amphenol LTW
安費諾亮泰企業股份有限公司

ITEM NO	CD-XXRFFC-RC7BXX	DRAWN BY	Joyy	DATE	2015-11-10
DWG NO	CD-XXRFFC-RC7BXX	CHECKED BY	Lu Di	DATE	2015-11-10
CUSTOMER	ALTW	APPROVED BY	Jerry	DATE	2015-11-10

1 2 3 4 5 6 7 8 W10814-03-001A2