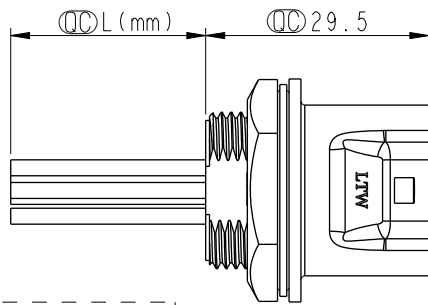
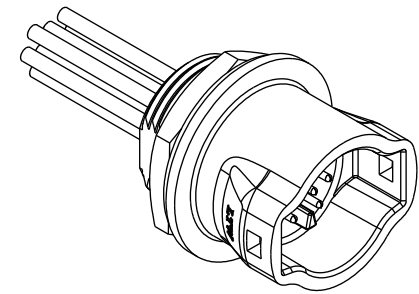
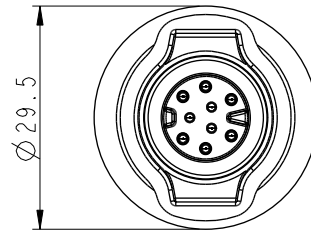
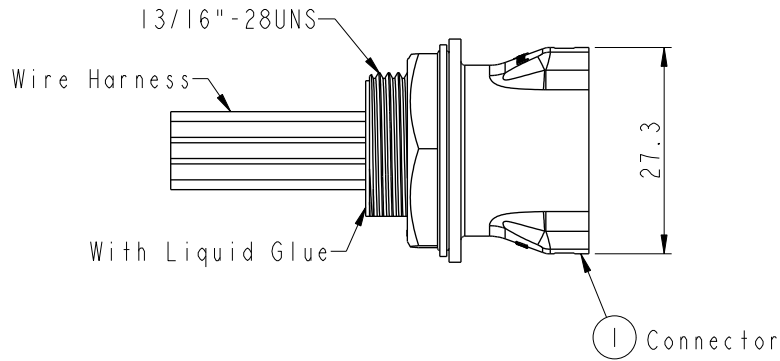
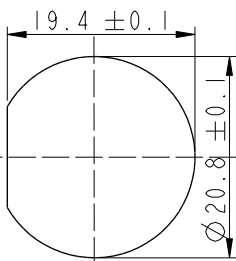


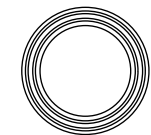
REV.	ECN NO.	DATE	SIGN	DESCRIPTION
A		2020/04/27	Ruru	Initial Released
B	C200700	2020/05/19	Ruru	\triangle B XI



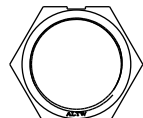
- \triangle B Note:
- * $\text{\textcircled{C}}$ Important Dimension
 - * Waterproof Rate: IP68, Unmated
IP68: 1M depth of water in 24 hours
 - * Connector: Thermoplastic, Black
 - * Male Pin: Copper Alloy, Gold Plated
 - * Gasket: Rubber, Black
 - * Nut: Thermoplastic, Black
 - * Wire Harness :UL1430, 20AWG
 - * Panel Thickness Max: 5.0mm
 - * Wire harness Tolerance: 100 \pm 10mm
101~300 \pm 15mm
301~1000 \pm 20mm
 - * Prohibiting the use of place in oils
 - * The nut and gasket are packed separately



Recommended Panel Cut-out



2 Gasket



3 Nut

UNIT:mm	$\text{\textcircled{C}}$	$\text{\textcircled{C}}$
TOLERANCE	$\pm 0.5\text{mm}$	

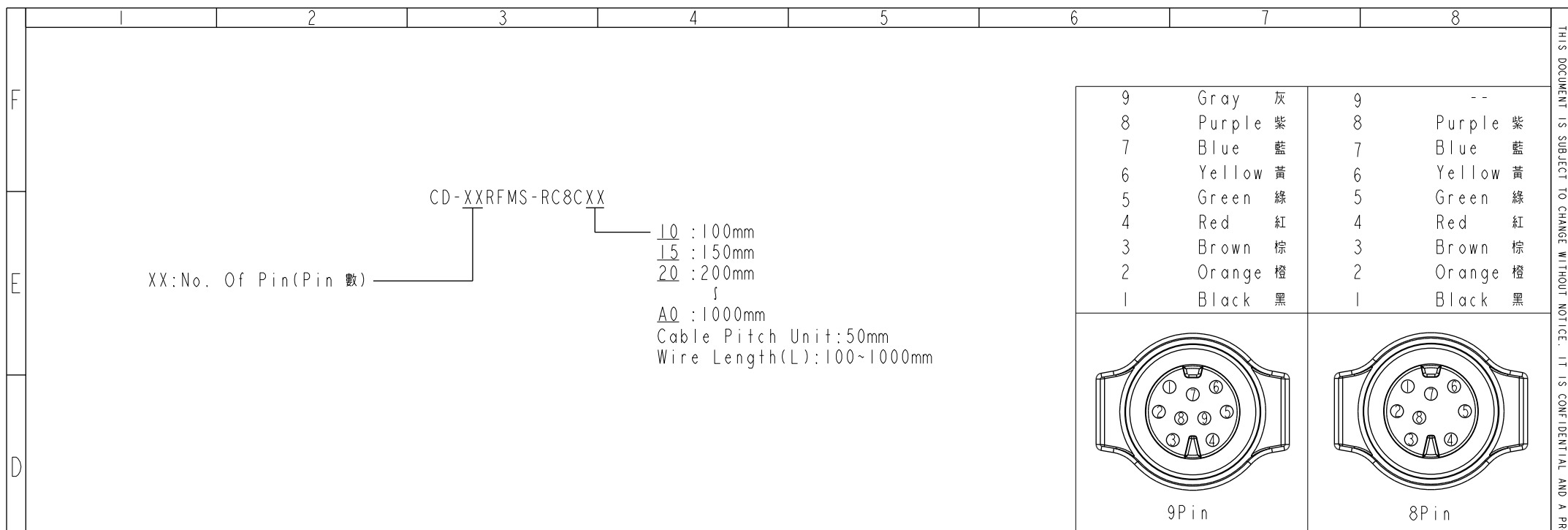
TITLE RBL, C-5A, REAR FASTENED F, M, SOLDER, RBL			
SCALE 1:1	SIZE A4	SHEET 1 OF 2	
REV. B	WC-REV. A.1	$\text{\textcircled{C}}$: Inspection item	

Amphenol LTW
安費諾亮泰企業股份有限公司

ITEM NO.	DRAWN BY Ruru	DATE 2020-04-27
DWG NO. CD-XXRFMS-RC8CX	CHECKED BY Rita	DATE 2020-04-27
CUSTOMER ALTW	APPROVED BY Max	DATE 2020-04-27

THIS DOCUMENT IS SUBJECT TO CHANGE WITHOUT NOTICE. IT IS CONFIDENTIAL AND A PROPERTY OF Amphenol LTW. DISCLOSURE TO THIRD PARTY HAS TO BE AUTHORIZED BY Amphenol LTW.

THIS DOCUMENT IS SUBJECT TO CHANGE WITHOUT NOTICE. IT IS CONFIDENTIAL AND A PROPERTY OF Amphenol LTW. DISCLOSURE TO THIRD PARTY HAS TO BE AUTHORIZED BY Amphenol LTW.



Pin Out	4	--	4	Red	紅	4	Red	紅	6	Yellow	黃	6	Yellow	黃	9	--		
	3	Brown	棕	3	Brown	棕	3	Brown	棕	5	--	5	Green	綠	8	--		
	2	--	2	--		2	Orange	橙	4	Red	紅	4	Red	紅	7	Blue	藍	
	1	Black	黑	1	Black	黑	1	Black	黑	3	Brown	棕	3	Brown	棕	6	Yellow	黃
										2	Orange	橙	2	Orange	橙	5	Green	綠
										1	Black	黑	1	Black	黑	4	Red	紅
																3	Brown	棕
																2	Orange	橙
																1	Black	黑
Pin Assignments Front View																		
	2Pin		3Pin		4Pin		5Pin		6Pin		7Pin		8Pin		9Pin			

UNIT:mm TOLERANCE ±0.5mm	TITLE RBL, C-5A, REAR FASTENED F, M, SOLDER, RBL		Amphenol LTW 安費諾亮泰企業股份有限公司		ITEM NO	DRAWN BY	DATE
	SCALE 1:1	SIZE A4			SHEET 2 OF 2	DWG NO CD-XXRFMS-RC8CXX	CHECKED BY Rita
	REV. B	WC-REV. A.1	QC: Inspection item	CUSTOMER ALTW	APPROVED BY Max	DATE 2020-04-27	