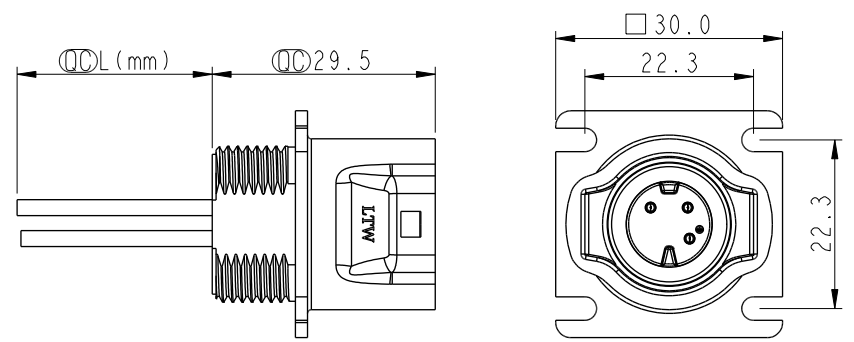
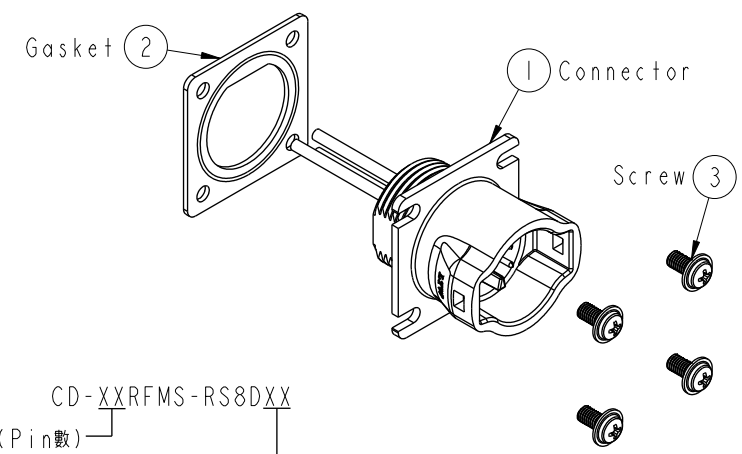
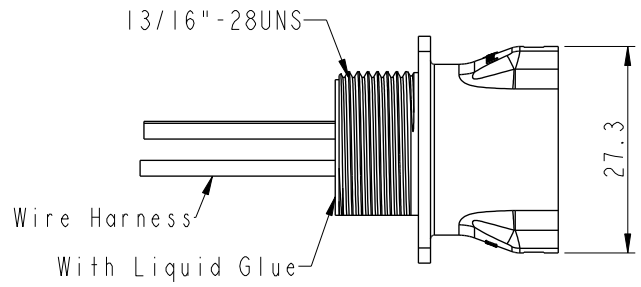


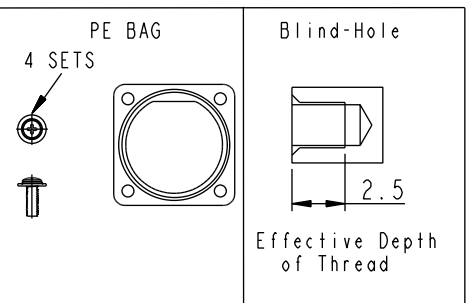
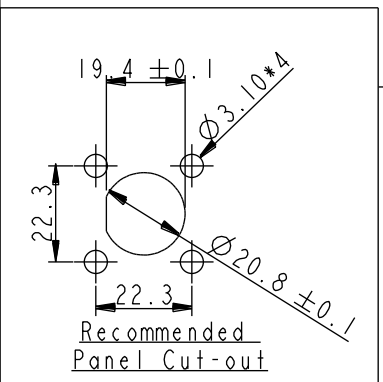
THIS DOCUMENT IS SUBJECT TO CHANGE WITHOUT NOTICE. IT IS CONFIDENTIAL AND A PROPERTY OF Amphenol LTW. DISCLOSURE TO THIRD PARTY HAS TO BE AUTHORIZED BY Amphenol LTW.

REV.	ECN NO.	DATE	SIGN	DESCRIPTION
A		2020/04/27	Ruru	Initial Released
B	C200691	2020/05/19	Ruru	△ XI



CD-XXRFMS-RS8DXX  
 XX: No. Of Pin(Pin數)  
 10 : 100~1000mm  
 15 : 100mm  
 20 : 200mm  
 A0 : 1000mm  
 Cable Pitch Unit: 50mm  
 Wire Length(L): 100~1000mm

Pin Out	4 Green 綠 3 White 白 1 Black 黑
Pin Assignments Front View	



- △ Note:
- \*  $\varnothing$  Important Dimension
  - \* Waterproof Rate: IP68, Unmated  
IP68: 1M depth of water in 24 hours
  - \* Connector: Thermoplastic, Black
  - \* Male Pin: Copper Alloy, Gold Plated
  - \* Gasket: Rubber, Gray
  - \* Wire Harness: ULI430, 20AWG
  - \* Blind holes for the screws used M3X0.5mm
  - \* Blind Hole Size M3X0.5mm
  - \* Wire harness Tolerance: 100 ±10mm  
101~300 ±15mm  
301~1000 ±20mm
  - \* Prohibiting the use of place in oils

UNIT:mm		TITLE	RBL, C-5A, REAR FASTENED F, M, SOLDER, RBL		
TOLERANCE	±0.5mm	SCALE	1:1	SIZE	A4
		REV.	B	WC-REV.	A.1
					$\varnothing$ : Inspection item

**Amphenol LTW**  
 安費諾亮泰企業股份有限公司

ITEM NO	CD-XXRFMS-RS8DXX	DRAWN BY	Ruru	DATE	2020-04-27
DWG NO	CD-XXRFMS-RS8DXX	CHECKED BY	Rita	DATE	2020-04-27
CUSTOMER	ALTW	APPROVED BY	Max	DATE	2020-04-27