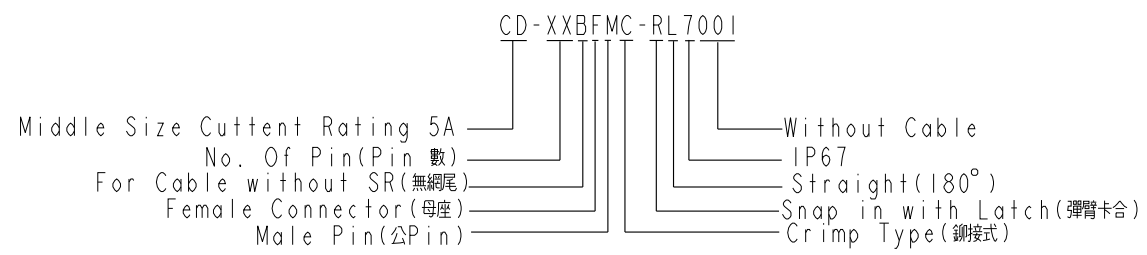
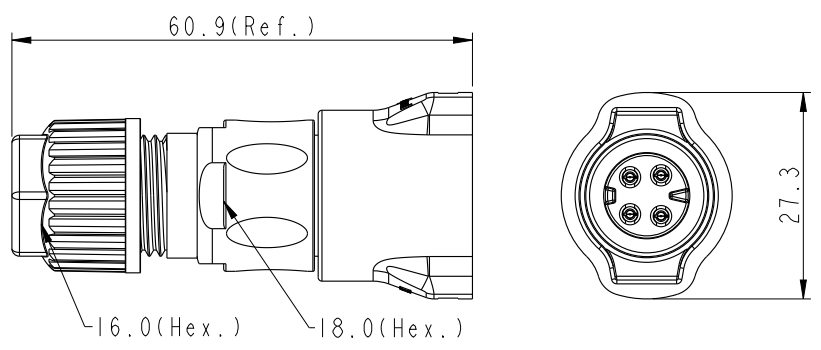
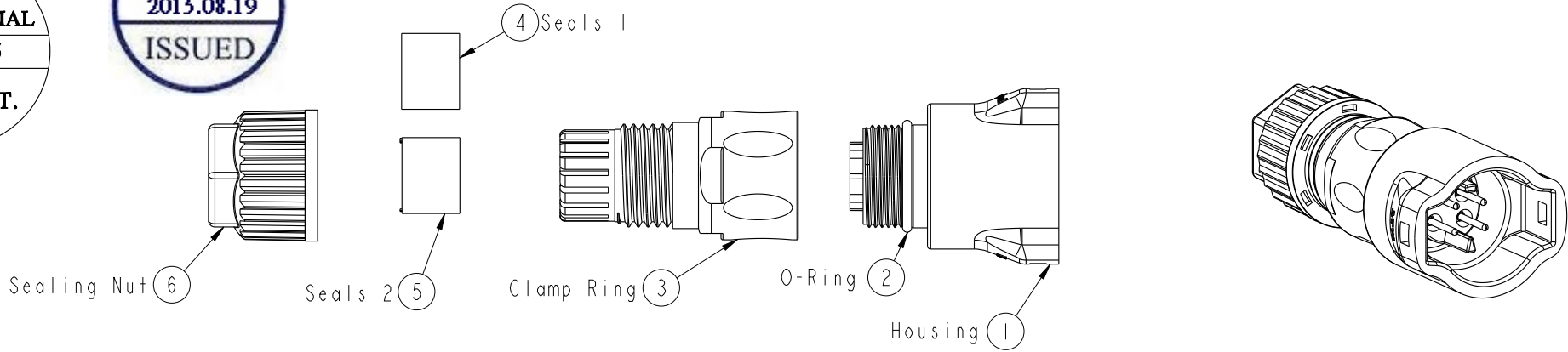


THIS DOCUMENT IS SUBJECT TO CHANGE WITHOUT NOTICE. IT IS CONFIDENTIAL AND A PROPERTY OF AMPHENOL LTW. DISCLOSURE TO THIRD PARTY HAS TO BE AUTHORIZED BY AMPHENOL LTW.

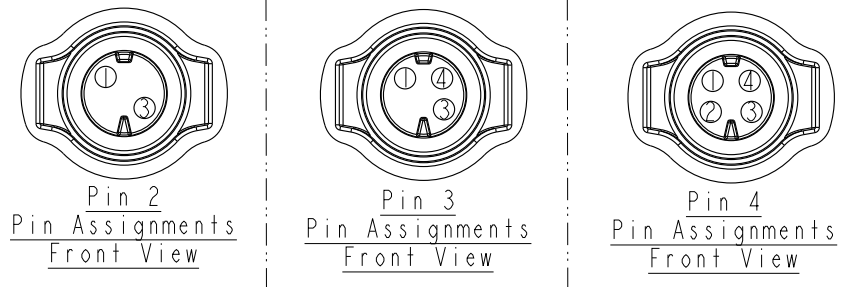
REV.	ECN NO.	DATE	SIGN	DESCRIPTION
A	Initial Release	2015/07/25	Mafei	Change Rev.01 To Rev.A

ALTW
CONFIDENTIAL
2015-07-25
R&D DEPT.

ALTW
DCC. DEPT.
CONFIDENTIAL
2015.08.19
ISSUED



- Note:
- * \varnothing Important Dimension To Check.
 - * Waterproof Rate: IP67 (Mating)
 - * Housing: M-PPE, Black, UL94 V-0, UL746C fl
 - * Conductor Current Rating: Max. 5A Depends On Wire
 - * O-Ring: Silicone, Gray, UL94 V-0
 - * Seals: Silicone, Gray, UL94 V-0
 - * Clamp Ring: Nylon, Black, UL94 V-0, UL746C fl
 - * Sealing Nut: Nylon, Black, UL94 V-0, UL746C fl
 - * Seal 1 For Cable OD: $\varnothing 4.5\text{mm} \sim \varnothing 7.5\text{mm}$
 - * Seal 2 For Cable OD: $\varnothing 7.5\text{mm} \sim \varnothing 9.5\text{mm}$
 - * Prohibiting the use of place in oils.
 - * Clamp Ring Recommended Tightening Torque: 4~7 Kgf.cm (0.4~0.7 N.m)
 - * Sealing Nut Recommended Tightening Torque: 5~10 Kgf.cm (0.5~1 N.m)



UNIT: mm		TITLE	ASSY RBL F CONN M PIN		
TOLERANCE		SCALE	1:1	SIZE	A4
.X	± 0.25	SHEET	1	OF	2
.XX	± 0.1	REV.	A	WC-REV.	A.1
.XXX	± 0.05	\varnothing : Inspection item			
ANGLES	$\pm 1^\circ$				

Amphenol LTW
安費諾亮泰企業股份有限公司

ITEM NO.	DRAWN BY	DATE
	Mafei	2015/07/25
DWG NO.	CHECKED BY	DATE
CD-XXBFMC-RL7001	Arthur	2015/07/25
CUSTOMER	APPROVED BY	DATE
ALTW	Jerry	2015/07/25

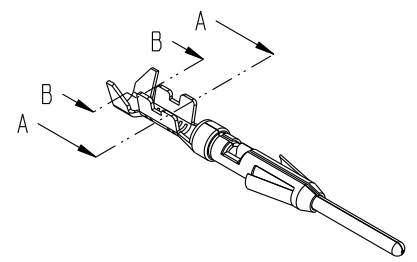
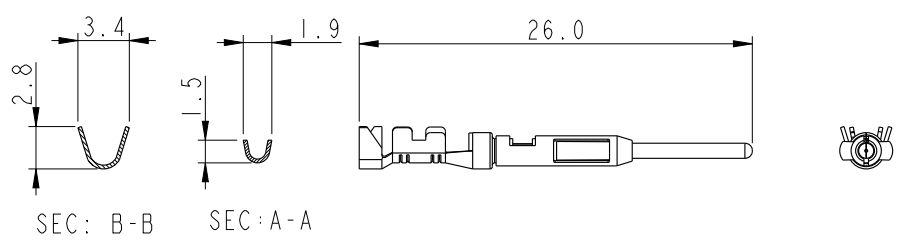
THIS DOCUMENT IS SUBJECT TO CHANGE WITHOUT NOTICE. IT IS CONFIDENTIAL AND A PROPERTY OF AMPHENOL LTW. DISCLOSURE TO THIRD PARTY HAS TO BE AUTHORIZED BY AMPHENOL LTW.

REV.	ECN NO.	DATE	SIGN	DESCRIPTION

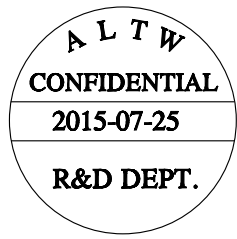
Optional Part: Terminal
P/N: SAM20D-XXG03

- 01: 3500Pcs/Reel
- 02: 500 Pcs Loose
- 03: 100 Pcs Loose

Contact Material: Copper Alloy, Gold Plated
Current Rating: 5A.
Wire Range: 20#~24#

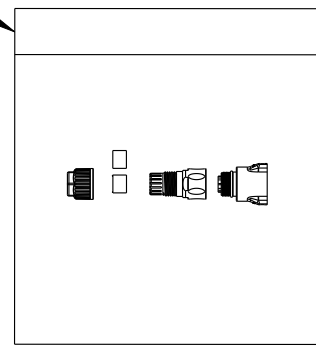


Note:
* One Set Unassembled In One PE Bag.
(每一組未組裝, 放置於一個PE袋, 並封口)

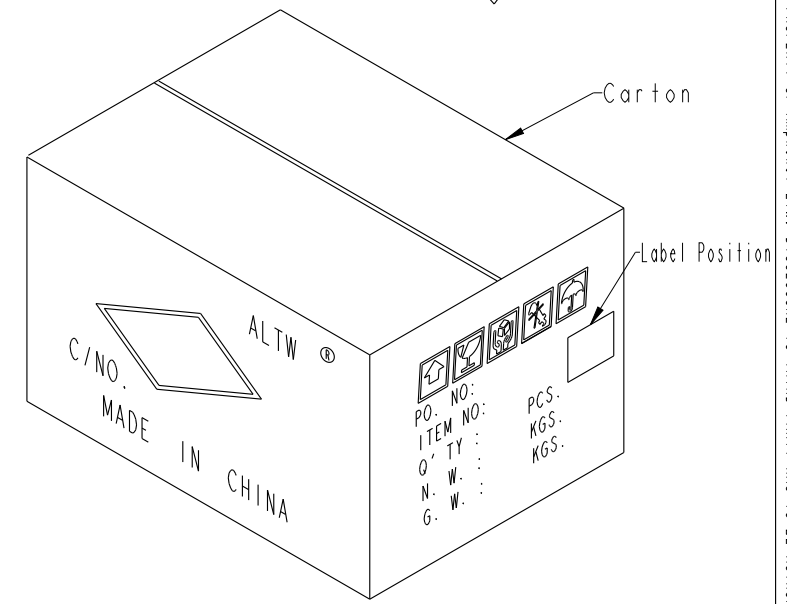


PE Bag (8)

QTY: 1 Pcs



QTY: XX Pcs



UNIT: mm		
TOLERANCE	.X ±0.25	
	.XX ±0.1	
	.XXX ±0.05	
ANGLES	±1°	

TITLE ASSY RBL F CONN M PIN			
SCALE 1:1	SIZE A4	SHEET 2 OF 2	
REV. A	WC-REV. A.1	☉: Inspection item	

Amphenol LTW
安費諾亮泰企業股份有限公司

ITEM NO.	DRAWN BY Mafei	DATE 2015/07/25
DWG NO. CD-XXBFMC-RL7001	CHECKED BY Arthur	DATE 2015/07/25
CUSTOMER ALTW	APPROVED BY Jerry	DATE 2015/07/25