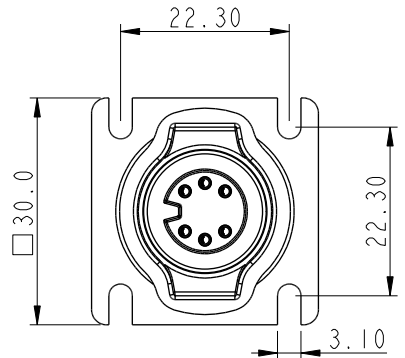
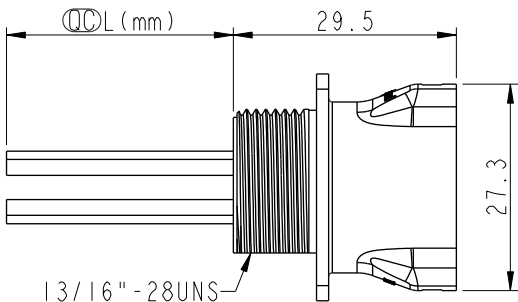
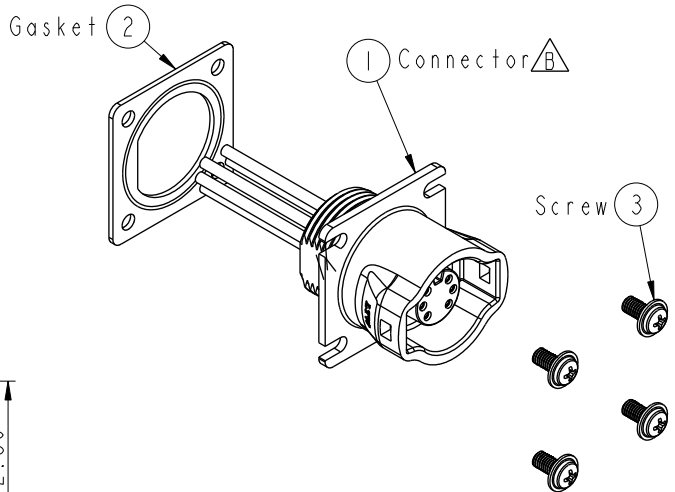
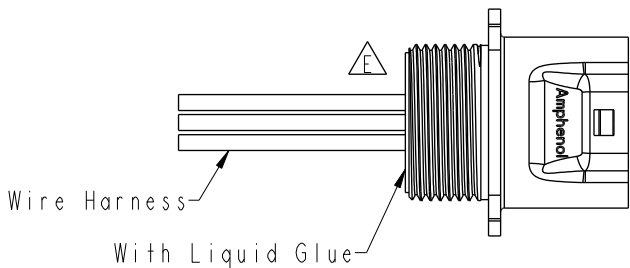


REV.	ECN NO.	DATE	SIGN	DESCRIPTION
C	LEN15B0326~330	2015/11/10	Joyy	Add 7-8 And 9 Pin To The Common Drawing
D	C191730	2019/10/08	Vicky	Update Code & Wire Tolerance
E	C220377	2022/03/07	Ruru	$\triangle E$ X5



- $\triangle E$  Note:
- \*  $\varnothing$  Important Dimension
  - \* Waterproof Rate: IP67
  - $\triangle C$  \* Housing: Thermoplastic, Black
  - \* Female Pin: Copper Alloy, Gold Plated
  - \* Gasket: Rubber, Gray
  - \* Wire Harness: ULI430 20#
  - \* Blind holes for the screws used M3X0.5mm
  - \* Blind Hole Size M3X0.5mm
  - \* Screw Torque: 1.5~2kgf.cm
  - $\triangle D$  \* Wire harness Tolerance: 100  $\pm$  10mm  
101~300  $\pm$  15mm  
301~1000  $\pm$  20mm
  - \* Prohibiting the use of place in oils

PE BAG

4 SETS

Blind-Hole

Effective Depth of Thread

2.5

Recommended Panel Cut-out

UNIT:mm	$\varnothing$	TITLE	RBL, C-5A, REAR FASTENED F, F, CRIMP, RBL $\triangle E$	
TOLERANCE	$\pm 0.5mm$	SCALE	1:1	SHEET 1 OF 2
		REV.	E	WC-REV. A.15
				$\varnothing$ : Inspection item

**Amphenol LTW**  
安費諾亮泰企業股份有限公司

ITEM NO	DRAWN BY	DATE
	Joyy	2015-11-10
DWG NO	CHECKED BY	DATE
CD-XXRFFC-RS7BXX	Lu Di	2015-11-10
CUSTOMER	APPROVED BY	DATE
ALTW	Jerry	2015-11-10

THIS DOCUMENT IS SUBJECT TO CHANGE WITHOUT NOTICE. IT IS CONFIDENTIAL AND A PROPERTY OF Amphenol LTW. DISCLOSURE TO THIRD PARTY HAS TO BE AUTHORIZED BY Amphenol LTW.

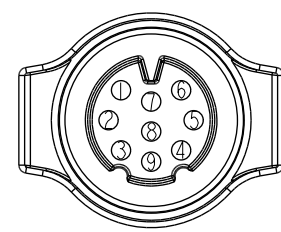
THIS DOCUMENT IS SUBJECT TO CHANGE WITHOUT NOTICE. IT IS CONFIDENTIAL AND A PROPERTY OF Amphenol LTW. DISCLOSURE TO THIRD PARTY HAS TO BE AUTHORIZED BY Amphenol LTW.

△E CD-XXRFFC-RS7BXX

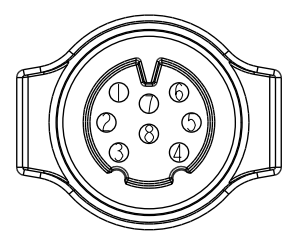
XX:No. Of Pin(Pin 數)

10 :100mm  
 15 :150mm  
 20 :200mm  
 △D A0 :1000mm  
 Cable Pitch Unit:50mm  
 Wire Length(L):100~1000mm

9	White 白	9	--
8	Purple 紫	8	Purple 紫
7	Red 紅	7	Red 紅
6	Green 綠	6	Green 綠
5	Yellow 黃	5	Yellow 黃
4	Blue 藍	4	Blue 藍
3	Orange 橘	3	Orange 橘
2	Brown 棕	2	Brown 棕
1	Black 黑	1	Black 黑



9Pin



8Pin

△C

Pin Out	4	--	4	Blue 藍	4	Blue 藍	6	Green 綠	6	Grey 灰	9	--
	3	White 白	3	White 白	3	White 白	5	--	5	Yellow 黃	8	--
	2	--	2	--	2	Brown 棕	4	Black 黑	4	Green 綠	7	Red 紅
	1	Black 黑	1	Black 黑	1	Black 黑	3	Blue 藍	3	White 白	6	Green 綠
							2	White 藍白	2	Blue 藍	5	Yellow 黃
							1	Brown 棕	1	Brown 棕	4	Blue 藍
											3	Orange 橘
											2	Brown 棕
											1	Black 黑

Pin Assignments Front View						
	2Pin	3Pin	4Pin	5Pin	6Pin	7Pin

UNIT:mm		TITLE
TOLERANCE	±0.5mm	RBL, C-5A, REAR FASTENED F, F, CRIMP, RBL
SCALE	1:1	SIZE A4
REV.	E	SHEET 2 OF 2
		WC-REV. A.15
		QC: Inspection item

**Amphenol LTW**  
安費諾亮泰企業股份有限公司

ITEM NO	CD-XXRFFC-RS7BXX	DRAWN BY	Joyy	DATE	2015-11-10
DWG NO	CD-XXRFFC-RS7BXX	CHECKED BY	Lu Di	DATE	2015-11-10
CUSTOMER	ALTW	APPROVED BY	Jerry	DATE	2015-11-10