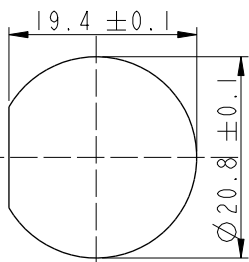
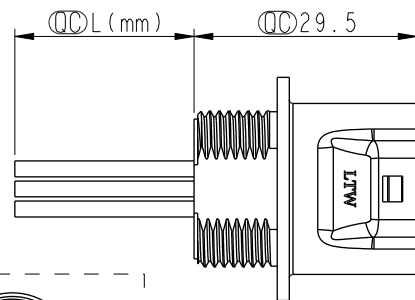
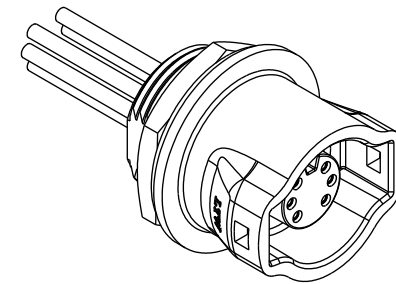
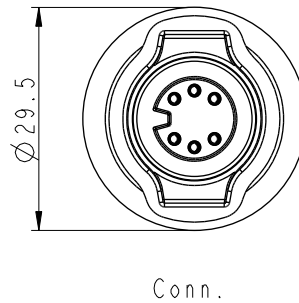
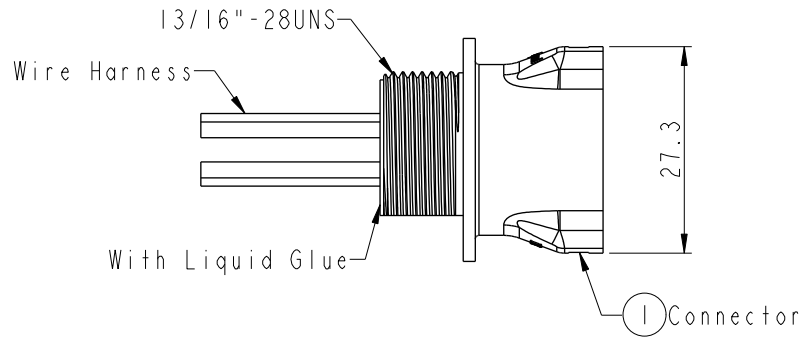
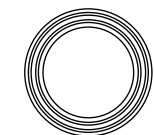


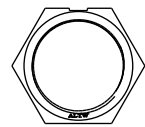
REV.	ECN NO.	DATE	SIGN	DESCRIPTION
A		2020/04/23	Ruru	Initial Released
B	C200700	2020/05/19	Ruru	$\triangle B$ XI



Recommended Panel Cut-out



② Gasket



③ Nut

- $\triangle B$ Note:
- * ⌀ Important Dimension
 - * Waterproof Rate: IP68, Unmated
IP68: 1M depth of water in 24 hours
 - * Connector: Thermoplastic, Black
 - * Female Pin: Copper Alloy, Gold Plated.
 - * Gasket: Rubber, Black
 - * Screw Nut: Thermoplastic, Black
 - * Wire Harness: UL1430, 20AWG
 - * Panel Thickness Max: 5.0mm
 - * Wire harness Tolerance: 100 \pm 10mm
101~300 \pm 15mm
301~1000 \pm 20mm
 - * Prohibiting the use of place in oils
 - * The nut and gasket are packed separately

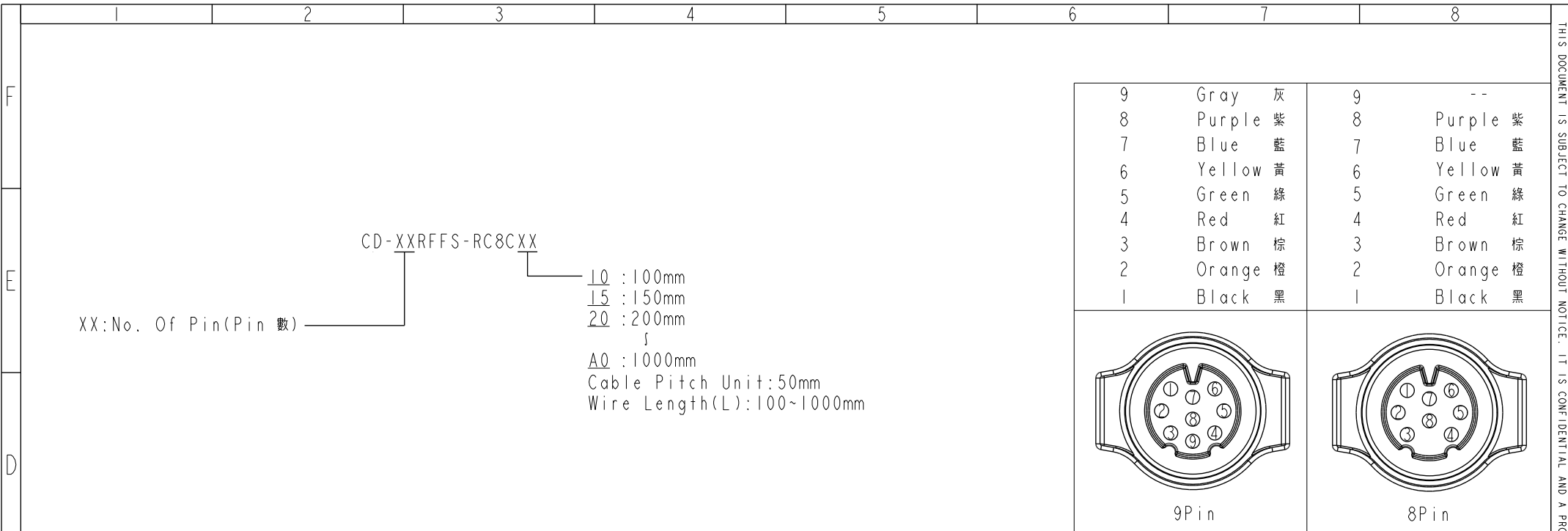
UNIT:mm		TITLE	RBL, C-5A, REAR FASTENED F, F, SOLDER, RBL	
TOLERANCE	$\pm 0.5\text{mm}$	SCALE	1:1	SIZE A4
		REV.	B	WC-REV. A.1
				⌀ : Inspection item

Amphenol LTW
安費諾亮泰企業股份有限公司

ITEM NO	DRAWN BY	DATE
	Ruru	2020-04-23
DWG NO	CHECKED BY	DATE
CD-XXRFFS-RC8CXX	Rita	2020-04-23
CUSTOMER	APPROVED BY	DATE
ALTW	Max	2020-04-23

THIS DOCUMENT IS SUBJECT TO CHANGE WITHOUT NOTICE. IT IS CONFIDENTIAL AND A PROPERTY OF Amphenol LTW. DISCLOSURE TO THIRD PARTY HAS TO BE AUTHORIZED BY Amphenol LTW.

THIS DOCUMENT IS SUBJECT TO CHANGE WITHOUT NOTICE. IT IS CONFIDENTIAL AND A PROPERTY OF Amphenol LTW. DISCLOSURE TO THIRD PARTY HAS TO BE AUTHORIZED BY Amphenol LTW.



Pin Out	4 --	4 Red 紅	4 Red 紅	6 Yellow 黃	6 Yellow 黃	9 --
	3 Brown 棕	3 Brown 棕	3 Brown 棕	5 --	5 Green 綠	8 --
	2 --	2 --	2 Orange 橙	4 Red 紅	4 Red 紅	7 Blue 藍
	1 Black 黑	1 Black 黑	1 Black 黑	3 Brown 棕	3 Brown 棕	6 Yellow 黃
				2 Orange 橙	2 Orange 橙	5 Green 綠
				1 Black 黑	1 Black 黑	4 Red 紅
						3 Brown 棕
						2 Orange 橙
						1 Black 黑

UNIT: mm TOLERANCE ±0.5mm	TITLE RBL, C-5A, REAR FASTENED F, F, SOLDER, RBL		Amphenol LTW 安費諾亮泰企業股份有限公司		ITEM NO CD-XXRFFS-RC8CXX	DRAWN BY Ruru	DATE 2020-04-23
	SCALE 1:1	SIZE A4			SHEET 2 OF 2	DWG NO CD-XXRFFS-RC8CXX	CHECKED BY Rita
	REV. B	WC-REV. A.1	QC: Inspection item	CUSTOMER ALTW	APPROVED BY Max	DATE 2020-04-23	