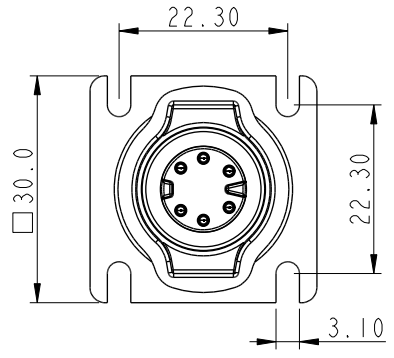
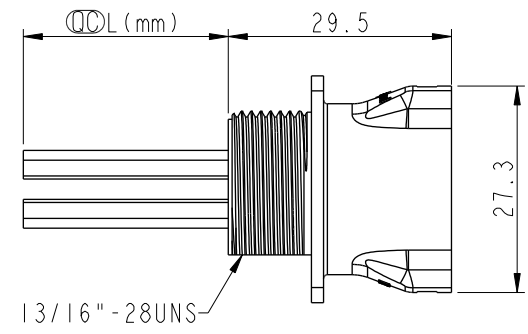
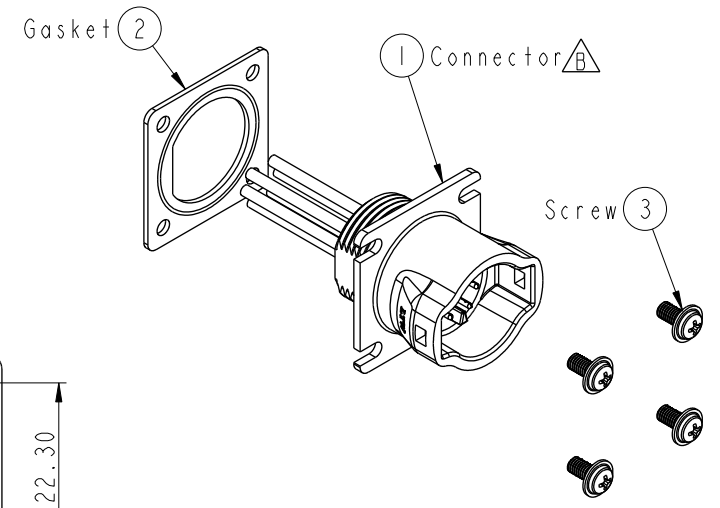
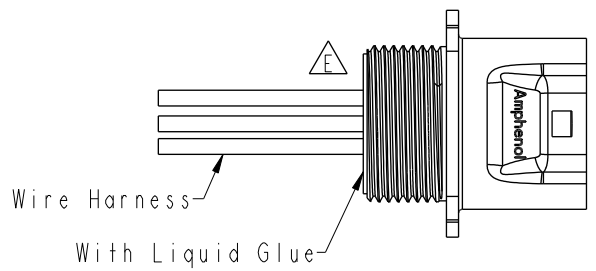
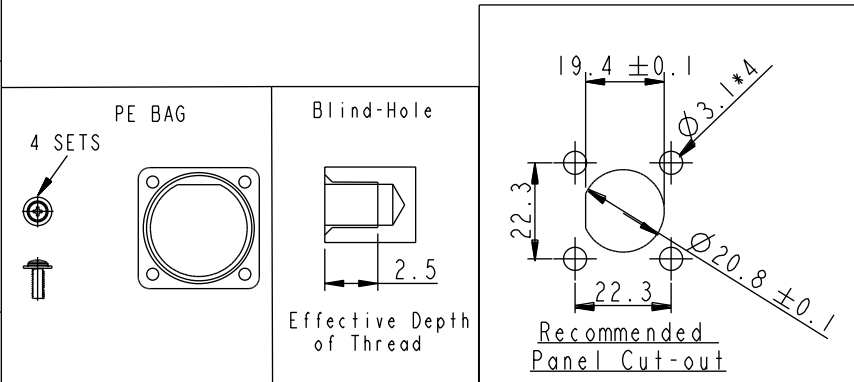


THIS DOCUMENT IS SUBJECT TO CHANGE WITHOUT NOTICE. IT IS CONFIDENTIAL AND A PROPERTY OF Amphenol LTW. DISCLOSURE TO THIRD PARTY HAS TO BE AUTHORIZED BY Amphenol LTW.

REV.	ECN NO.	DATE	SIGN	DESCRIPTION
C	LEN15B0336~340	2015/11/10	Joyy	Add 7-8 And 9 Pin To The Common Drawing
D	C191730	2019/10/08	Vicky	Update Code & Wire Tolerance
E	C220377	2022/03/07	Ruru	$\triangle E$ X5



- $\triangle E$ Note:
- * \varnothing Important Dimension
 - * Waterproof Rate: IP67
 - * Housing: Thermoplastic, Black
 - * Male Pin: Copper Alloy, Gold Plated
 - * Gasket: Rubber, Gray
 - * Wire Harness: UL1430 20#
 - * Blind holes for the screws used M3X0.5mm
 - * Blind Hole Size M3X0.5mm
 - * Screw Torque: 1.5~2kgf.cm
 - * $\triangle D$ Wire harness Tolerance: 100 \pm 10mm
101~300 \pm 15mm
301~1000 \pm 20mm
 - * Prohibiting the use of place in oils



UNIT:mm	\varnothing	TITLE	RBL, C-5A, REAR FASTENED F, M, CRIMP, RBL $\triangle E$	
TOLERANCE	± 0.5 mm	SCALE	1:1	SHEET 1 OF 2
		REV.	E	WC-REV. A.8
			\varnothing : Inspection item	

Amphenol LTW
安費諾亮泰企業股份有限公司

ITEM NO	DRAWN BY	DATE
	Joyy	2015-11-10
DWG NO	CHECKED BY	DATE
CD-XXRFMC-RS7BXX	Lu Di	2015-11-10
CUSTOMER	APPROVED BY	DATE
ALTW	Jerry	2015-11-10

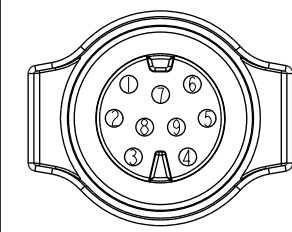
THIS DOCUMENT IS SUBJECT TO CHANGE WITHOUT NOTICE. IT IS CONFIDENTIAL AND A PROPERTY OF Amphenol LTW. DISCLOSURE TO THIRD PARTY HAS TO BE AUTHORIZED BY Amphenol LTW.

△E
CD-XXRFMC-RS7BXX

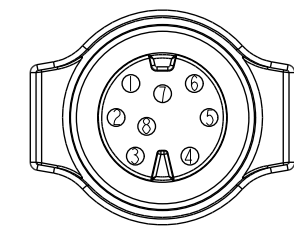
XX:No. Of Pin(Pin 數)

10 : 100mm
15 : 150mm
20 : 200mm
s
△A0 : 1000mm
Cable Pitch Unit: 50mm
Wire Length(L): 100~1000mm

9	White 白	9	--
8	Purple 紫	8	Purple 紫
7	Red 紅	7	Red 紅
6	Green 綠	6	Green 綠
5	Yellow 黃	5	Yellow 黃
4	Blue 藍	4	Blue 藍
3	Orange 橘	3	Orange 橘
2	Brown 棕	2	Brown 棕
1	Black 黑	1	Black 黑



9Pin



8Pin

△C

Pin Out	4	--	4	Blue 藍	4	Blue 藍	6	Green 綠	6	Grey 灰	9	--
	3	White 白	3	White 白	3	White 白	5	--	5	Yellow 黃	8	--
	2	--	2	--	2	Brown 棕	4	Black 黑	4	Green 綠	7	Red 紅
	1	Black 黑	1	Black 黑	1	Black 黑	3	Blue 藍	3	White 白	6	Green 綠
							2	White 白	2	Blue 藍	5	Yellow 黃
							1	Brown 棕	1	Brown 棕	4	Blue 藍
											3	Orange 橘
											2	Brown 棕
											1	Black 黑

Pin Assignments Front View						
	2Pin	3Pin	4Pin	5Pin	6Pin	7Pin

UNIT:mm		TITLE
TOLERANCE	±0.5mm	RBL, C-5A, REAR FASTENED F, M, CRIMP, RBL
SCALE	1:1	SIZE A4
REV.	E	SHEET 2 OF 2
		WC-REV. A.8
		QC: Inspection item

Amphenol LTW
安費諾亮泰企業股份有限公司

ITEM NO	CD-XXRFMC-RS7BXX	DRAWN BY	Joyy	DATE	2015-11-10
DWG NO	CD-XXRFMC-RS7BXX	CHECKED BY	Lu Di	DATE	2015-11-10
CUSTOMER	ALTW	APPROVED BY	Jerry	DATE	2015-11-10