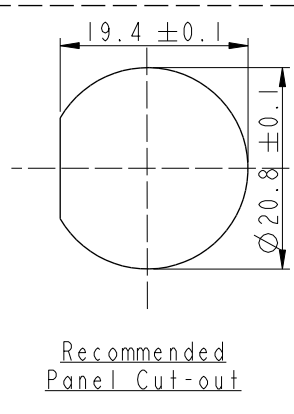
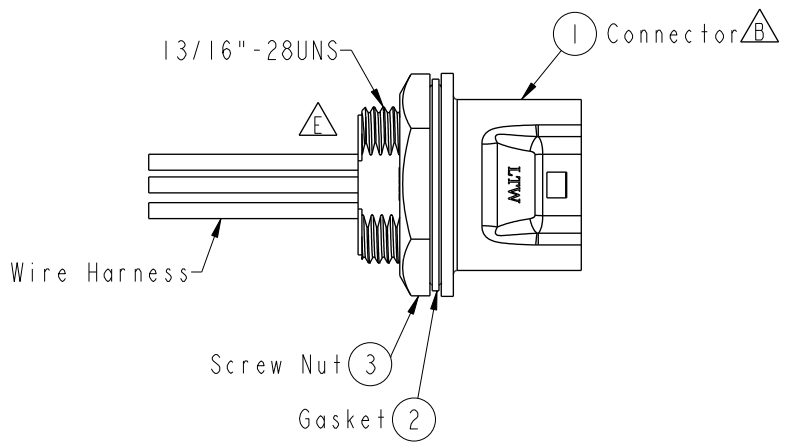
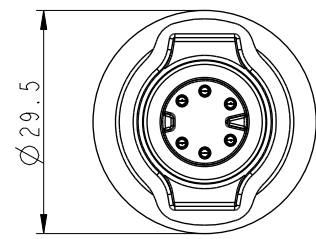
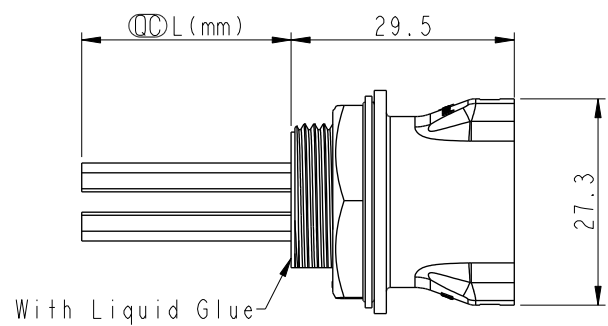
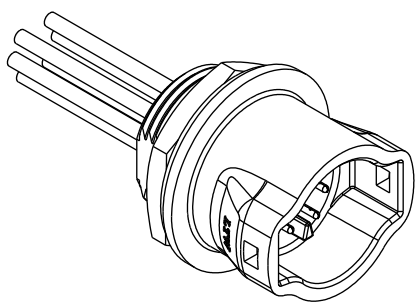


THIS DOCUMENT IS SUBJECT TO CHANGE WITHOUT NOTICE. IT IS CONFIDENTIAL AND A PROPERTY OF Amphenol LTW. DISCLOSURE TO THIRD PARTY HAS TO BE AUTHORIZED BY Amphenol LTW.

REV.	ECN NO.	DATE	SIGN	DESCRIPTION
C	LEN15B0331~335	2015/11/10	Joyy	Add 7·8 And 9 Pin To The Common Drawing
D	C191730	2019/10/08	Vicky	Update Code & Wire Tolerance
E	C220377	2022/03/07	Ruru	△E X5



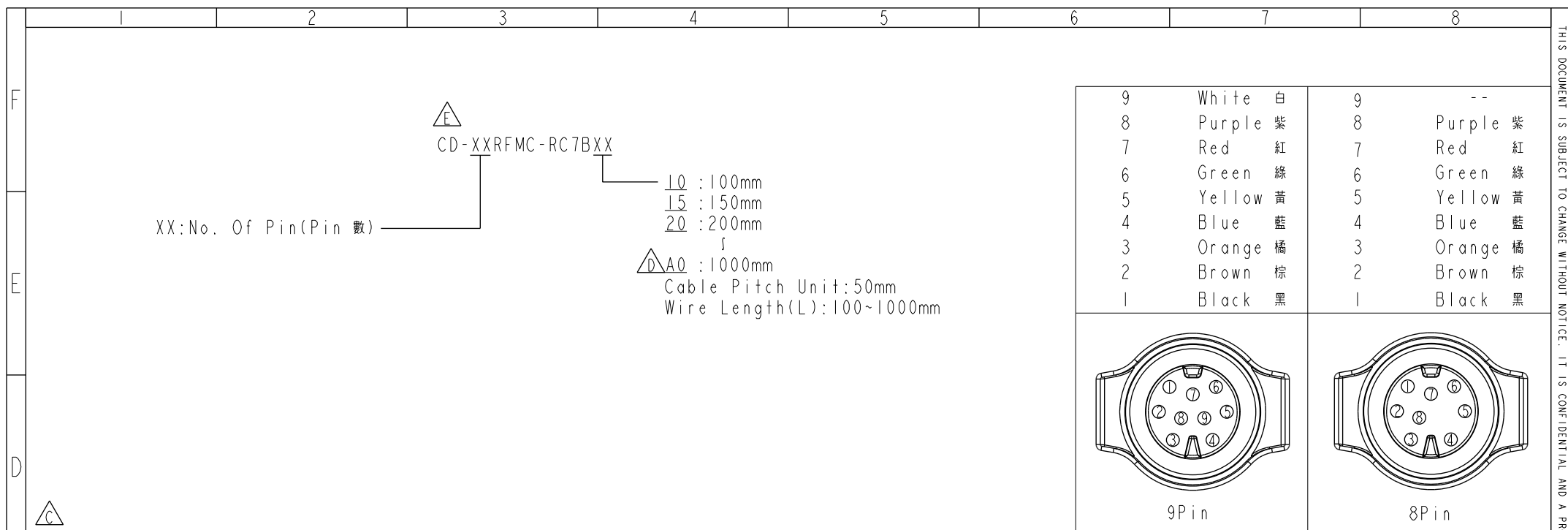
- △E Note:
- * ∅ Important Dimension
 - * Waterproof Rate: IP67
 - * Housing: Thermoplastic, Black
 - * Male Pin: Copper Alloy, Gold Plated
 - * Gasket: Rubber, Black
 - * Screw Nut: Thermoplastic, Black
 - * Wire Harness :UL1430 20#
 - * Panel Thickness Max: 5.0mm
 - * Recommended Nut Torque: 4~7 kgf.cm
 - * Wire harness Tolerance: 100 ±10mm
101~300 ±15mm
301~1000 ±20mm
- △D * Prohibiting the use of place in oils

UNIT:mm		TITLE	RBL, C-5A, REAR FASTENED F, M, CRIMP, RBL	
TOLERANCE		SCALE	1:1	SIZE A4
±0.5mm		REV.	E	WC-REV. A.7
		SHEET	1	OF 2
		∅: Inspection item		

Amphenol LTW
安費諾亮泰企業股份有限公司

ITEM NO	DRAWN BY	DATE
	Joyy	2015-11-10
DWG NO	CHECKED BY	DATE
CD-XXRFMC-RC7BXX	Lu Di	2015-11-10
CUSTOMER	APPROVED BY	DATE
ALTW	Jerry	2015-11-10

THIS DOCUMENT IS SUBJECT TO CHANGE WITHOUT NOTICE. IT IS CONFIDENTIAL AND A PROPERTY OF Amphenol LTW. DISCLOSURE TO THIRD PARTY HAS TO BE AUTHORIZED BY Amphenol LTW.



Pin Out	4	--	4	Blue	藍	4	Blue	藍	6	Green	綠	6	Grey	灰	9	--	
	3	White	白	3	White	白	3	White	白	5	--	5	Yellow	黃	8	--	
	2	--	2	--	--	2	Brown	棕	4	Black	黑	4	Green	綠	7	Red	紅
	1	Black	黑	1	Black	黑	1	Black	3	Blue	藍	3	White	白	6	Green	綠
									2	White	白	2	Blue	藍	5	Yellow	黃
									1	Brown	棕	1	Brown	棕	4	Blue	藍
															3	Orange	橘
															2	Brown	棕
															1	Black	黑

UNIT:mm TOLERANCE ±0.5mm	 	TITLE RBL, C-5A, REAR FASTENED F, M, CRIMP, RBL		<h1>Amphenol LTW</h1> 安費諾亮泰企業股份有限公司	ITEM NO	DRAWN BY Joyy	DATE 2015-11-10
		SCALE 1:1	SIZE A4		SHEET 2 OF 2	DWG NO CD-XXRFMC-RC7BXX	CHECKED BY Lu Di
REV. E	WC-REV. A.7	QC: Inspection item		CUSTOMER ALTW	APPROVED BY Jerry	DATE 2015-11-10	