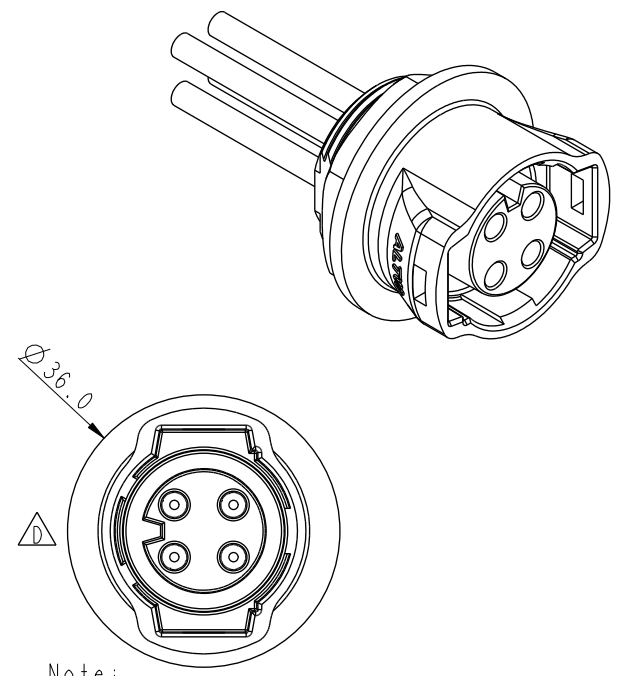
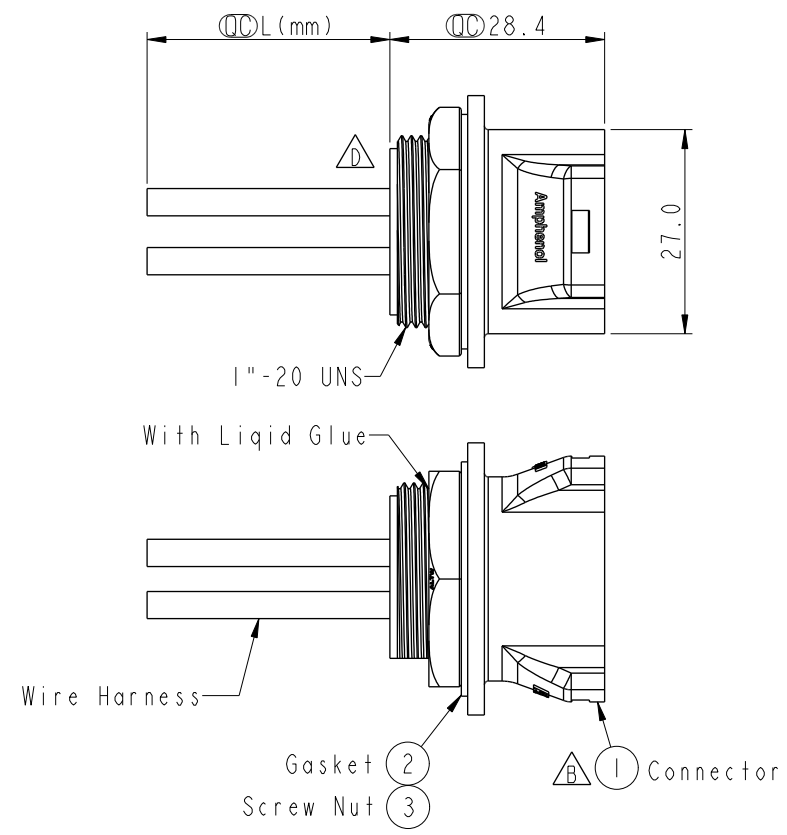


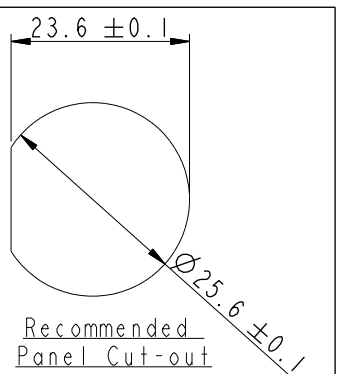
THIS DOCUMENT IS SUBJECT TO CHANGE WITHOUT NOTICE. IT IS CONFIDENTIAL AND A PROPERTY OF Amphenol LTW. DISCLOSURE TO THIRD PARTY HAS TO BE AUTHORIZED BY Amphenol LTW.

REV.	ECN NO.	DATE	SIGN	DESCRIPTION
B	LE315A0064~66	2015/09/23	Joyy	Update The Drawing
C	E191618	2019/09/11	Ruru	Update Code & Wire Tolerance
D	E192063	2019/12/4	Ruru	Change Key Point Direction

ALTW
 CONFIDENTIAL
 2019-12-04
 R&D DEPT.



- Note:
- * \varnothing Important Dimension To Check.
 - * Waterproof Rate: IP67
 - * Housing: M-PPE, Black.
 - * Female Pin: Copper Alloy, Gold Plated
 - * Gasket: Silicone, Gray.
 - * Screw Nut: Nylon+GF, Black.
 - * Wire Harness :UL1015 12#
 - * Panel Thickness Max: 5.0mm
 - * Recommended Nut Torque: 4~7 kgf.cm
 - * Wire Harness Tolerance: 100mm \pm 10mm
 101~300mm \pm 15mm
 301~1000mm \pm 20mm
 - * Prohibiting the use of place in oils.



UNIT: mm

TOLERANCE ± 0.5

TITLE LARGE PANEL RBL F CONN F PIN		
SCALE 1:1	SIZE A4	SHEET 1 OF 2
REV. D	WC-REV. A.7	\varnothing : Inspection item

Amphenol LTW

安費諾亮泰企業股份有限公司

ITEM NO.	DRAWN BY Ruru	DATE 2019-09-11
DWG NO. DC-XXRFFC-RC7AXX	CHECKED BY Rita	DATE 2019-09-11
CUSTOMER ALTW	APPROVED BY Max	DATE 2019-09-11

THIS DOCUMENT IS SUBJECT TO CHANGE WITHOUT NOTICE. IT IS CONFIDENTIAL AND A PROPERTY OF AMPHENOL LTW. DISCLOSURE TO THIRD PARTY HAS TO BE AUTHORIZED BY AMPHENOL LTW.

1 2 3 4 5 6 7 8

F
E
D
C
B
A

DC-XXRFFC-RC7AXX

Large Size Current Rating 20A
 XX:No. Of Pin(Pin 數)
 R:Panel Rear Mounting(後續嵌面板式)
 F:Female Connector(母座)
 F:Female Pin(母Pin)
 C: Crimp Type(壓線組裝式)

10 :100mm
 15 :150mm
 20 :200mm
 }
 △ A0 :1000mm
 Cable Pitch Unit=50mm
 Wire Length (L):100~1000 mm
 A:UL 1015
 7:IP67(防水等級 67)
 C:Circular(圓座)
 R:Snap In With Latch(彈臂卡合)



Pin Out	4 -- 3 White 白 2 -- 1 Black 黑	4 Green 綠 3 White 白 2 -- 1 Black 黑	4 Green 綠 3 White 白 2 Red 紅 1 Black 黑
Pin Assignments Front View	 2Pin	 3Pin	 4Pin

UNIT:mm TOLERANCE ±0.5	TITLE LARGE PANEL RBL F CONN F PIN		Amphenol LTW 安費諾亮泰企業股份有限公司	ITEM NO	DRAWN BY Ruru	DATE 2019-09-11	
	SCALE 1:1	SIZE A4		SHEET 2 OF 2	DWG NO DC-XXRFFC-RC7AXX	CHECKED BY Rita	DATE 2019-09-11
	REV. D	WC-REV. A.7		QC: Inspection item	CUSTOMER ALTW	APPROVED BY Max	DATE 2019-09-11

1 2 3 4 5 6 7 8 W10814-03-001A2