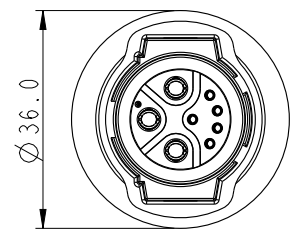
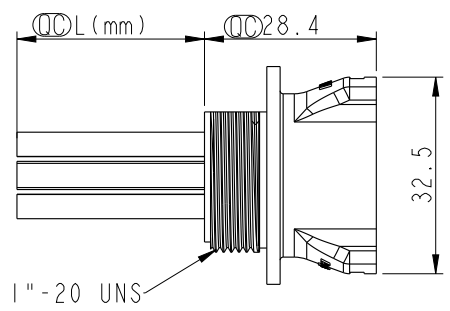
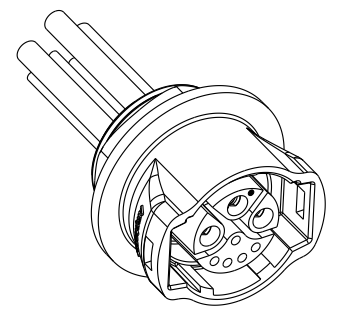


THIS DOCUMENT IS SUBJECT TO CHANGE WITHOUT NOTICE. IT IS CONFIDENTIAL AND A PROPERTY OF Amphenol LTW. DISCLOSURE TO THIRD PARTY HAS TO BE AUTHORIZED BY Amphenol LTW.

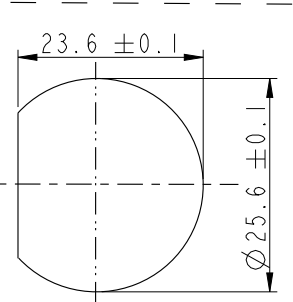
REV.	ECN NO.	DATE	SIGN	DESCRIPTION
A		2020/04/22	Peng	Initial Released



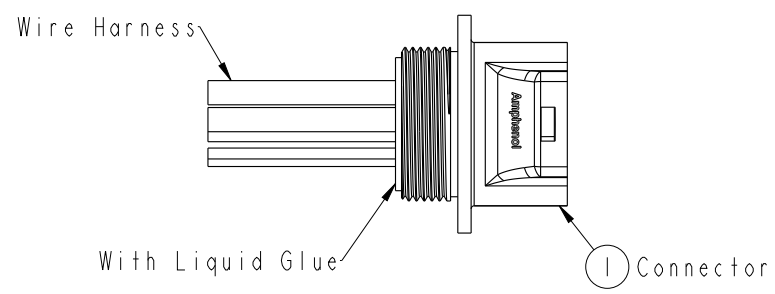
Conn.
DCD-XXRFFS-RC8CXX

08: 8Pin

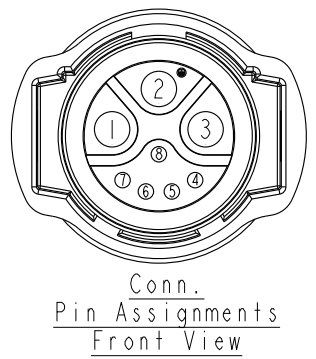
10: 100mm
15: 150mm
20: 200mm
:
A0: 1000mm
Cable Pitch Unit=50mm
Wire Length (L): 100~1000 mm



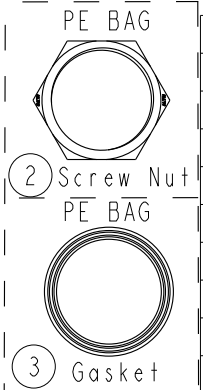
Recommended Panel Cut-out



- Note:
- * \varnothing Important Dimension To Check.
 - * Waterproof Rate: IP68, Unmated.
IP68: 1M depth of water in 24 hours
 - * Connector: Thermoplastic, Black.
 - * Female Pin: Copper Alloy, Gold Plated.
 - * Gasket: Rubber, Black.
 - * Nut: Thermoplastic, Black.
 - * Wire Harnss: UL1015(12AWG)
UL1430(20AWG)
 - * Panel Thickness Max: 5.0mm
 - * Recommended Nut Torque: 10~12 kgf.cm
 - * Wire Harness Tolerance: 100mm ± 10mm
101~300mm ± 15mm
301~1000mm ± 20mm
 - * Prohibiting the use of place in oils
 - * The nut and gasket are packed separately



Conn. Pin Assignments Front View



8	Black (20AWG)	黑
7	Yellow (20AWG)	黄
6	Orange (20AWG)	橙
5	White (20AWG)	白
4	Green (20AWG)	綠
3	Bule (12AWG)	藍
2	Red (12AWG)	紅
1	Black (12AWG)	黑
Conn.	Wire Color	
	Pin Out	

UNIT:mm

TOLERANCE ±0.5

TITLE LARGE PANEL RBL F CONN F PIN			
SCALE 4:5	SIZE A4	SHEET 1 OF 1	
REV. A	WC-REV. .0	\varnothing : Inspection item	

Amphenol LTW
安費諾亮泰企業股份有限公司

ITEM NO	DRAWN BY Peng	DATE 2020-04-22
DWG NO DCD-XXRFFS-RC8CXX	CHECKED BY Feng_Li	DATE 2020-04-22
CUSTOMER ALTW	APPROVED BY Jerry	DATE 2020-04-22