

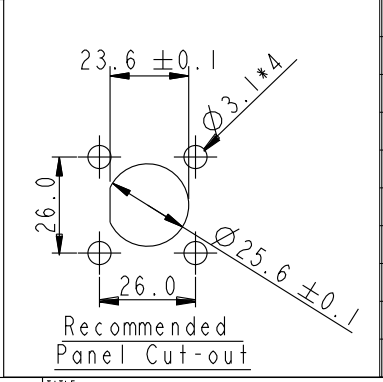
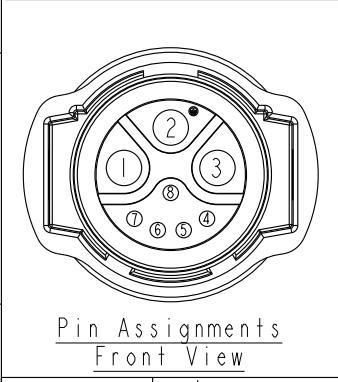
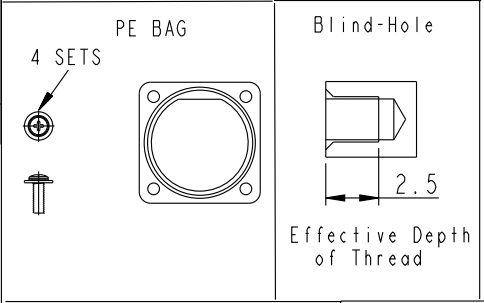
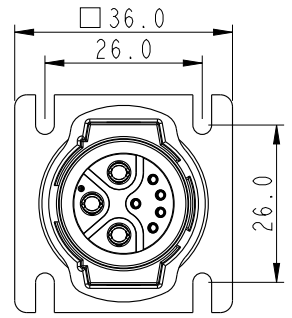
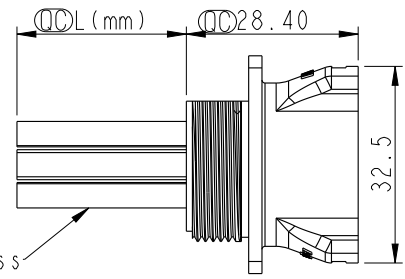
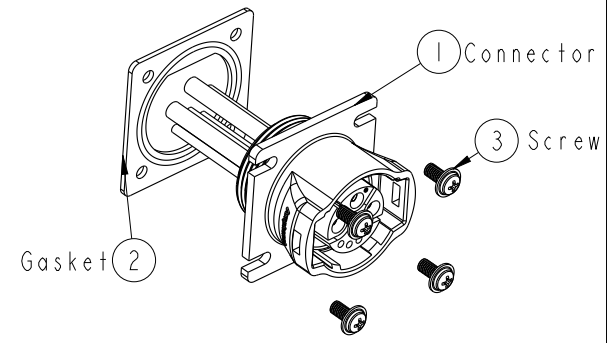
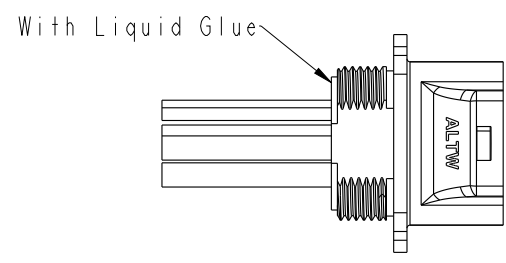
THIS DOCUMENT IS SUBJECT TO CHANGE WITHOUT NOTICE. IT IS CONFIDENTIAL AND A PROPERTY OF AMPHENOL LTW. DISCLOSURE TO THIRD PARTY HAS TO BE AUTHORIZED BY AMPHENOL LTW.

REV.	ECN NO.	DATE	SIGN	DESCRIPTION
A		2020/04/22	Peng	Initial Released

DCD-XXRFFS-RS8CXX

08:8Pin

10:100mm
 15:150mm
 20:200mm
 :
 A0:1000mm
 Cable Pitch Unit=50mm
 Wire Length (L):100~1000 mm



8	Black (20AWG)	黑
7	Yellow (20AWG)	黄
6	Orange (20AWG)	橙
5	White (20AWG)	白
4	Green (20AWG)	綠
3	Blue (12AWG)	藍
2	Red (12AWG)	紅
1	Black (12AWG)	黑
Conn.	Wire Color	Pin Out

Note:

- * \varnothing Important Dimension To Check.
- * Waterproof Rate: IP68, Unmated.
IP68:1M depth of water in 24 hours
- * Connector: Thermoplastic, Black.
- * Female Pin: Copper Alloy, Gold Plated.
- * Gasket: Rubber, Black.
- * Wire Harness: ULI015 12AWG
ULI430 20AWG
- * Blind holes for the screws used M3X0.5mm
- * Blind Hole Size M3X0.5mm
- * Screw Torque: 1.5~2kgf.cm
- * Wire harness Tolerance: 100mm ±10mm
101~300mm ±15mm
301~1000mm ±20mm
- * Prohibiting the use of place in oils

UNIT:mm		TITLE LARGE Panel RBL F CONN F PIN
TOLERANCE ±0.5	SCALE 1:1	SIZE A4
REV. A	WC-REV. .0	SHEET 1 OF 1
Inspection item		

Amphenol LTW
 安費諾亮泰企業股份有限公司

ITEM NO	DRAWN BY Peng	DATE 2020-04-22
DWG NO DCD-XXRFFS-RS8CXX	CHECKED BY Feng_Li	DATE 2020-04-22
CUSTOMER ALTW	APPROVED BY Jerry	DATE 2020-04-22