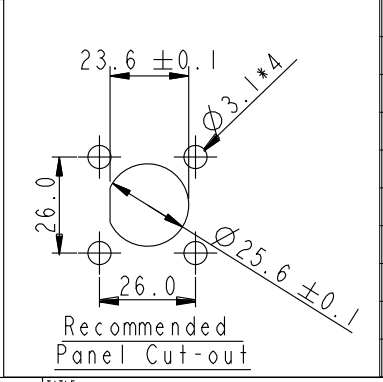
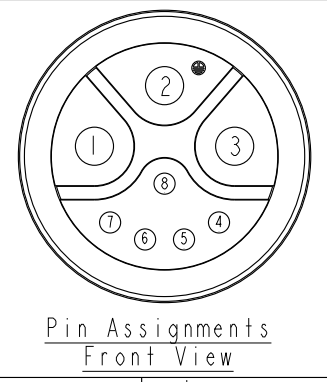
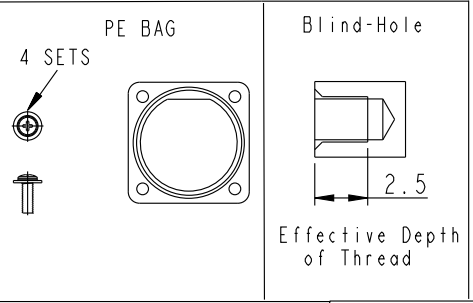
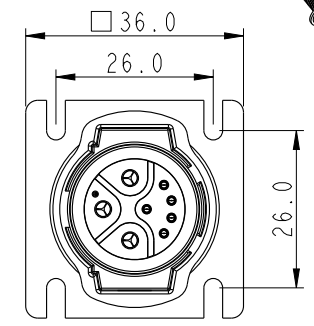
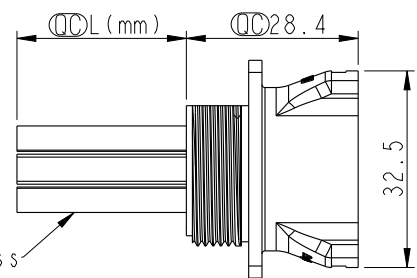
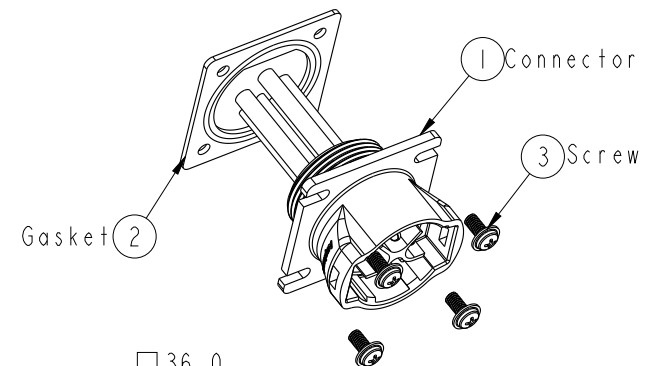
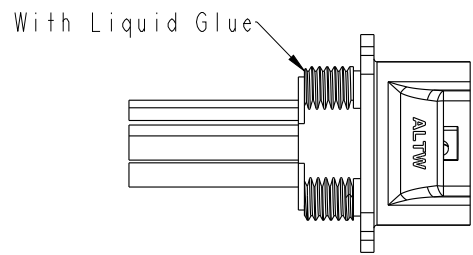


REV.	ECN NO.	DATE	SIGN	DESCRIPTION
A		2020-04-22	Peng	Initial Released

DCD-XXRFMS-RS8CXX

08:8Pin

10:100mm  
15:150mm  
20:200mm  
:  
A0:1000mm  
Cable Pitch Unit=50mm  
Wire Length (L):100~1000 mm



8	Black (20AWG)	黑
7	Yellow (20AWG)	黄
6	Orange (20AWG)	橙
5	White (20AWG)	白
4	Green (20AWG)	綠
3	Blue (12AWG)	藍
2	Red (12AWG)	紅
1	Black (12AWG)	黑
Conn.	Wire Color	
Pin Out		

- Note:
- \*  $\varnothing$  Important Dimension To Check.
  - \* Waterproof Rate: IP68, Unmated.  
IP68:1M depth of water in 24 hours
  - \* Connector: Thermoplastic, Black.
  - \* Male Pin: Copper Alloy, Gold Plated.
  - \* Gasket: Rubber, Black.
  - \* Wire Harness: UL1015 12AWG  
UL1430 20AWG
  - \* Blind holes for the screws used M3X0.5mm
  - \* Blind Hole Size M3X0.5mm
  - \* Screw Torque: 1.5~2kgf.cm
  - \* Wire harness Tolerance: 100mm  $\pm$ 10mm  
101~300mm  $\pm$ 15mm  
301~1000mm  $\pm$ 20mm
  - \* Prohibiting the use of place in oils

UNIT:mm TOLERANCE  $\pm 0.5$

TITLE LARGE Panel RBL F CONN M PIN			
SCALE 1:1	SIZE A4	SHEET 1 OF 1	
REV. A	WC-REV. .0	$\varnothing$ : Inspection item	

**Amphenol LTW**  
安費諾亮泰企業股份有限公司

ITEM NO.	DRAWN BY Peng	DATE 2020-04-22
DWG NO. DCD-XXRFMS-RS8CXX	CHECKED BY Feng_Li	DATE 2020-04-22
CUSTOMER ALTW	APPROVED BY Jerry	DATE 2020-04-22

THIS DOCUMENT IS SUBJECT TO CHANGE WITHOUT NOTICE. IT IS CONFIDENTIAL AND A PROPERTY OF Amphenol LTW. DISCLOSURE TO THIRD PARTY HAS TO BE AUTHORIZED BY Amphenol LTW.